

Mali large energy storage vehicle manufacturer



Overview

Company aims to expand energy storage access with new products and a nationwide dealer network Hyderabad-based electric mobility and energy solutions company Pure has unveiled PuREPower, a range of energy storage products designed for residential, commercial, and grid applications. Albatros Energy Mali SA (AEM) is a company that has developed and built a thermal power plant with an installed capacity of 90 MW and a guaranteed capacity of 66MW. The power plant is located in Kayes, Western Mali. While evaluating suppliers, ask these key questions: What local. This isn't sci-fi – it's today's reality in Burkina Faso's capital where energy storage vehicles are rewriting the rules of electricity access. It is intended for use during power cuts in multiple applications, ranging from domestic appliances (like fridges and air. It is a worldwide leader in. Huijue Group's energy storage solutions (30 kWh to 30 MWh) cover cost management, backup power, and microgrids. 2 billion project isn't just another industrial zone—it's a game-changer for renewable energy storage. By 2030, Mali plans to source 50% of its electricity from.

Mali large energy storage vehicle manufacturer

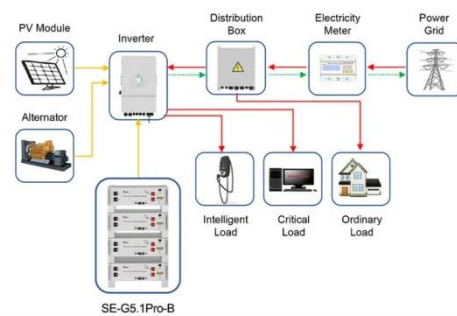


Mali , Culture, History, Maps, & People , Britannica

Geographical and historical treatment of Mali, a landlocked country of western Africa, mostly in the Saharan and Sahelian regions, including maps and a survey of its people, economy, ...

MALI MOBILE POWER STORAGE VEHICLE CUSTOMIZATION

This paper provides a comprehensive and critical review of academic literature on mobile energy storage for power system resilience enhancement. As mobile energy storage is often coupled with ...



Application scenarios of energy storage battery products



Mali Smart Energy Storage Industrial Park: Powering Africa's ...

That's exactly what the Mali Smart Energy Storage Industrial Park aims to achieve. Nestled in one of Africa's sunniest regions, this \$1.2 billion project isn't just another industrial ...

Mali mobile power storage vehicle customization

Can mobile energy storage improve power grid resilience? As mobile energy storage is often coupled with mobile emergency generators or electric buses, those technologies are also considered in the ...



Mali has not just plunged into crisis. It has been unraveling for years

Mali faces deep political, economic, and security crises, with military fragmentation, jihadist threats, and strained international ties.

Energy Storage Equipment, Energy storage solutions, Lithium battery

Huijue Group offers industrial and commercial energy storage, PV-BESS -EV Charging, Off-grid / On-grid Microgrid, telecom site solutions, and home solar energy storage, ensuring ...



MALI SMART ENERGY STORAGE INDUSTRIAL PARK POWERING

...



Why should you choose Machan for your energy storage enclosure? Machan has extensive experience in the manufacture of outdoor enclosures, enabling us to meet the diverse needs of energy storage ...

US looks to revitalise relations with Mali with envoy visit to Bamako

Nick Checker, head of the US State Department's Bureau of African Affairs, visited Mali on Monday, calling for renewed economic and security cooperation between Washington and Bamako.



LIST OF MALI ENERGY STORAGE COMPANIES

A trailblazer in battery innovation, Neoen has pioneered iconic energy storage installations, including one of the world's largest batteries in Australia, enabling grid stabilization and renewable energy ...



America returns to the Sahel as top U.S. official heads to

Mali for

The United States is taking cautious steps to re-engage Mali's military-led government, signaling a pragmatic shift in Washington's Africa policy as geopolitical competition in the Sahel ...



Mali 2021 Energy Storage Project: Powering a Sustainable Future

The Mali 2021 project demonstrates how strategic energy storage investments can transform national grids. As battery costs continue falling (22% decrease since 2020), such models become ...

Mali Grid-Side Energy Storage Solutions Reliable Brands and Future ...

Summary: Discover how Mali's energy sector benefits from advanced grid-side storage cabinets. This article explores key technologies, market trends, and real-world applications shaping the future of ...



Solar Energy Storage Companies and Suppliers

servicing Mali

List of Solar Energy Storage companies, manufacturers and suppliers servicing Mali (Energy Storage)



Mali , Culture, Facts & Travel ,

Mali is a developing country in western Africa which remains politically unstable following the coup d'etat in March 2012 and the ongoing conflict in northern Mali.



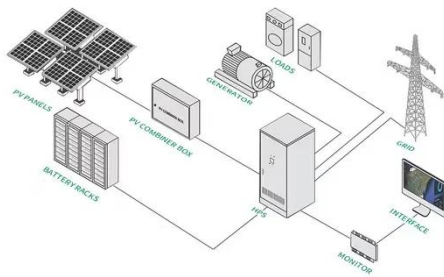
World Report 2026: Mali , Human Rights Watch

Mali Events of 2025 The M'berra refugee camp, which hosts 120,090 refugees fleeing violence and instability in Mali, in Bassikonou, southeastern Mauritania, on Novem.

Mali Maps & Facts

Mali is a landlocked country in West Africa with an area of 1,240,192 sq. km. Mali borders seven other nations Burkina Faso, Niger, Senegal, Guinea, Cote

d'Ivoire, Algeria, and Mauritania.



Spotlighting The World Factbook as We Bid a Fond Farewell

In 1997, The World Factbook went digital and debuted to a worldwide audience on CIA.gov, where it garnered millions of views each year. The World Factbook appealed to researchers, news ...

ENERGY STORAGE FOR ELECTRIC VEHICLES MALI

Mali energy storage power station manufacturer Albatros Energy Mali SA (AEM) is a company that has developed and built a thermal power plant with an installed capacity of 90 MW and a guaranteed ...



Contact Us

For catalog requests, pricing, or partnerships, please visit:
<https://www.kidsandparents.pl>

