

Masai Industrial Park Energy Storage Cabinet



Masai Industrial Park Energy Storage Cabinet

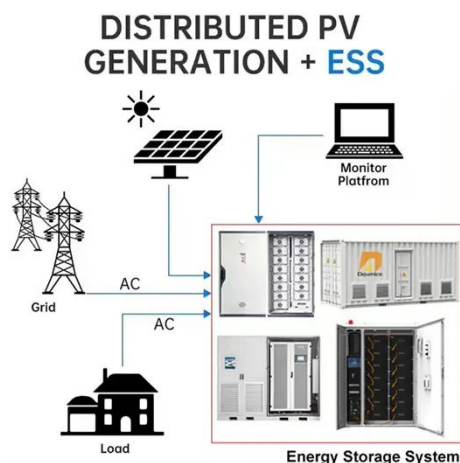


Commercial & Industrial Energy Storage Systems , ROYPOW

A Commercial & Industrial energy storage system is a solution that helps businesses manage energy costs, improve reliability, and integrate renewable energy sources. These systems store energy ...

MASAI ENERGY STORAGE CABINET ENERGY MANAGEMENT ...

The liquid-cooled energy storage system integrates the energy storage converter, high-voltage control box, water cooling system, fire safety system, and 8 liquid-cooled battery packs into one unit. [pdf]



All-In-One Industrial and Commercial Energy Storage Cabinet System

All-in-one, high-performance energy storage system for various industrial and commercial applications. Highly suitable for all kinds of outdoor applications such as EV charging stations, industrial parks, commercial ...

Industrial Park Energy Storage Cabinet Ranking 2025: Top Solutions for

As industrial parks worldwide race to meet sustainability targets, energy storage cabinets have become the "Swiss Army knives" of power management - versatile, essential, and surprisingly cool.



Cabinet Energy Storage System , VREMT

Discover our high-efficiency, modular battery systems with zero capacity loss and rapid multi-cabinet response. Ideal for industrial, commercial, and emergency applications, our solutions offer remote monitoring, intelligent ...

Masai Industrial Park Energy Storage

From the standpoint of load-storage collaboration of the source grid, this paper aims at zero carbon green energy transformation of big data industrial parks and proposes three types of energy storage application ...



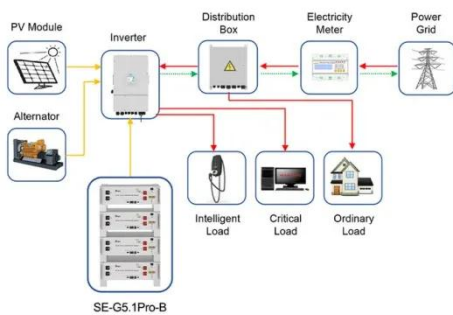


Integrated Outdoor Battery Energy Storage Cabinet

An integrated outdoor battery energy storage cabinet is a self-contained unit designed to store electrical energy in batteries for various applications, including renewable energy integration, grid ...

Commercial & Industrial Energy Storage Cabinet

Looking to deploy an enterprise-grade ESS cabinet for commercial facilities, factories, EV charging, microgrids, or industrial parks? Wenergy provides fully integrated, outdoor-rated ESS cabinets using LiFePO4 ...



Application scenarios of energy storage battery products

Energy Storage Enclosures/Cabinets , Modular Design to Meet Diverse

Our battery storage cabinets are constructed with a modular design, providing optimal flexibility for businesses across various sectors. Our power storage cabinets also adhere to safety and quality standards such as UL, ...

All-in-One Energy Storage

Cabinet & BESS Cabinets , Modular, Scalable

Featuring lithium-ion batteries, integrated thermal management, and smart BMS technology, these cabinets are perfect for grid-tied, off-grid, and microgrid applications. Explore reliable, and IEC-compliant energy storage ...



Contact Us

For catalog requests, pricing, or partnerships, please visit:
<https://www.kidsandparents.pl>

