

Mobile bracket warning light solar power



Overview

As a green, efficient, and portable self-powered visual safety device, it has become the preferred solution for multi-scenario safety warnings due to its advantages: solar power supply, no wiring required, and adaptability to complex environments. Equipped with solar panels, the light can transform solar energy to electric energy and store it into storage batteries. Automatically charging during the day, flash automatically at night. They are powered using internal batteries that are recharged via grid power or solar power or using disposable alkaline batteries. For ordering both types, you must click "add to". The Aolyty Solar Warning Strobe Light, an IP48 waterproof and solar-powered blue LED, automatically provides 360-degree visibility for outdoor safety and warning. Discover more about the small businesses partnering with Amazon and Amazon's commitment to empowering them. The ClimatePartner certified.

Mobile bracket warning light solar power



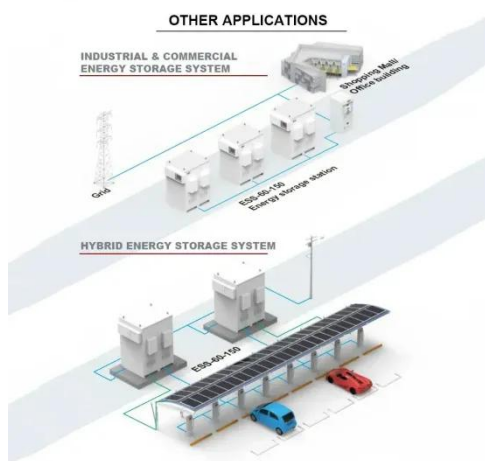
Qooltek Solar LED Warning Lamp

Equipped with solar panets, the light can transform solar energy to electric energy and stock it into storage batteries tomatically charging during the day, flash automatically at night.

Aolyty Solar Warning Strobe Light

The Aolyty Solar Warning Strobe Light, featuring an L-shaped bracket and a 360

...



Solar Power Blue Light

Solar-powered blue flashing light includes mounting bracket to attach to any square or flat sign holder, indicating track derails. Click to learn more!

Solar Portable Warning Lights

When it comes to Solar Portable Warning Lights, you can count on Grainger. Supplies and solutions for every industry, plus easy ordering, fast delivery and 24/7 customer support.

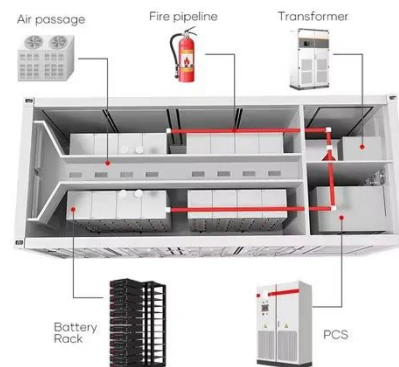


Flashing Warning Lights , Lumastrobe , innovative LED Strobe & Solar

Waterproof and impact resistant, the M-2P is ideal for emergency, construction and utility crews, motorists, police, fire and EMS personnel, as well as for aviation and marine applications.

Amazon : Solar Powered Safety Lights

Discover more about the small businesses partnering with Amazon and Amazon's commitment to empowering them. Learn more. Carbon emissions from the lifecycle of this product were measured, ...



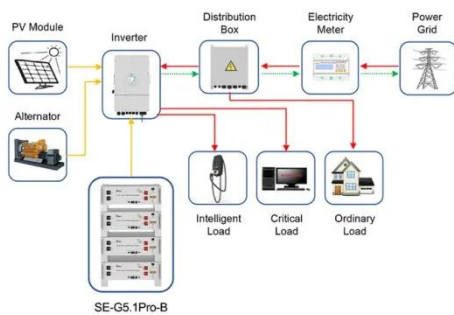
Solar LED Warning Lights: The Ultimate Guide



Vehicle-mounted solar warning lights can be fixed to trucks, buses, emergency vehicles, and other vehicle types. They provide high-brightness warning capabilities, precisely meeting safety ...

Solar Powered Emergency LED Strobe Lamp Lights

Eco Friendly : No Battery Need, Solar Powered, Rechargeable, LED Multi Functional Usage: Traffic Construction, Crane Tower, Car Accident, Gardening, House Any Where Automatically Charging ...



Application scenarios of energy storage battery products

Aolyty Solar Warning Strobe Light

The Aolyty Solar Warning Strobe Light, featuring an L-shaped bracket and a 360-degree design, provides essential visibility for outdoor safety. This blue, IP48 waterproof light operates automatically, ...

Mobile bracket warning light solar power

Unlike traditional warning lights that rely

on grid power or batteries, solar flashing warning lights are powered by solar energy, making them eco-friendly and cost-effective.



Type B Solar LED Warning Light Fully Solar Power Battery

Type B Solar LED Warning Light (Fully Solar Power Battery) may be added to channelizing devices for added driver visibility.

Contact Us

For catalog requests, pricing, or partnerships, please visit:
<https://www.kidsandparents.pl>

