

Multi-layer solar water pump inverter standard



Overview

Design and manufacturing standards for solar-powered water pump inverters encompass a wide range of criteria, from electrical safety to performance efficiency, environmental durability, and compatibility with solar panels and pumping systems. After years of deep cultivation and exploration in the solar water pump industry, INVT has carefully developed a new solar water pump inverter: SP100 series. The high efficiency SP series allows PV input of up to 800V (Voc) and includes built-in MPPT technology to maximize the return from your solar array. Output voltage for. Solar pumping inverter integrates advanced functions such as Hybrid AC Power, Solar Priority, Remote Monitoring, Multi-pump Linkage, Low-input Voltage, etc. It can be directly installed outdoors without additional devices and control box. The seven-level inverter, with five power semiconductor switches, is said to be particularly efficient at reducing switching losses thanks to a pulse width modulation technique.

Multi-layer solar water pump inverter standard

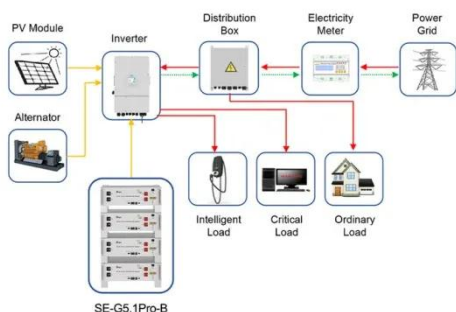
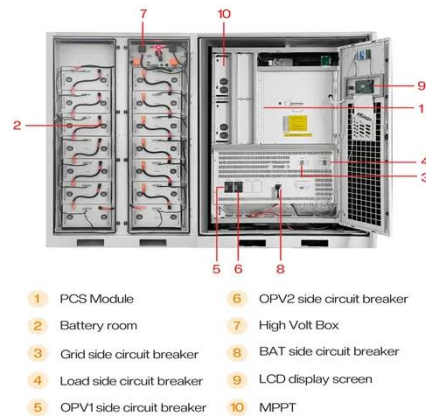


Solar Pump Inverters: The Ultimate Guide to Efficiency, Cost Savings

Discover how solar pump inverters revolutionize water pumping systems. Learn about benefits, key features, and how to choose the best solar inverter for your agricultural or industrial needs.

A multi-level inverter for solar water pumps

Scientists in India have tested a new inverter topology with a single-phase, induction-motor water pump. The seven-level inverter, with five power semiconductor switches, is said to be



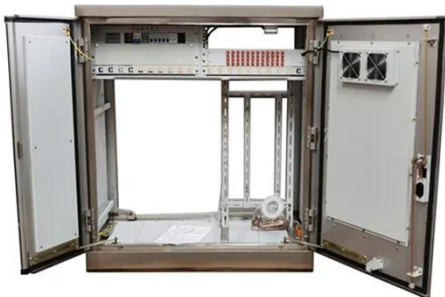
Application scenarios of energy storage battery products

How to Choose the Right Solar Pump Inverter for Your Project

The following sections break down the key engineering considerations and show how different solar pump inverter capabilities can support stable and efficient water-pumping performance ...

Solar boosting and water supply solutions , Grundfos

Grundfos offers a complete line of low-maintenance, solar powered water pumps, solar inverters and AC /DC power blenders that deliver unmatched flexibility for irrigation and agriculture water supply and ...



Design and Manufacturing Standards for Solar-Powered Water Pump ...

Design and manufacturing standards for solar-powered water pump inverters encompass a wide range of criteria, from electrical safety to performance efficiency, environmental durability, and compatibility ...

Solar Pumping Inverter with AC and Solar Priority 750W to 22KW

Solar pumping inverter integrates advanced functions such as Hybrid AC Power, Solar Priority, Remote Monitoring, Multi-pump Linkage, Low-input Voltage, etc. It can be directly installed outdoors without ...



SP100 Series Solar Pump

Utility-Scale ESS solutions



Inverter

After years of deep cultivation and exploration in the solar water pump industry, INVT has carefully developed a new solar water pump inverter: SP100 series. SP100 has comprehensively upgraded ...

Solar Pump Inverter Selection Guide

Solar pump inverters are a key component of solar pump systems, converting the direct current (DC) output of the solar panels into alternating current (AC) that can be used to power the ...



Solar Pumping Inverter with AC and Solar Priority 750W to 22KW

Scientists in India have tested a new inverter topology with a single-phase, induction-motor water pump. The seven-level inverter, with five power semiconductor switches, is said to be

SP SERIES (Single Phase, 3-Phase)

This inverter uses "either" solar or AC input source to power load. Please remember to NEVER connect both power sources (solar and AC input) at the same time as this will result in instantaneous damage ...



Essential Guide to Solar Inverters for Water Pump Systems

This comprehensive article delves into the intricacies of solar inverters, empowering you with the knowledge to optimize water access and usher in a greener future.

Contact Us

For catalog requests, pricing, or partnerships, please visit:
<https://www.kidsandparents.pl>

