

Muscat Power Storage



Power Conversion System

- Single-stage three-level modularization
- Multi-branch input to reduce battery series and parallels connection



Overview

Oman's first utility-scale battery storage system – developed with technical expertise from EK SOLAR – demonstrates three vital industry shifts: "Think of these battery systems as 'energy shock absorbers' – they smooth out the bumps when solar production drops suddenly or demand. Oman's first utility-scale battery storage system – developed with technical expertise from EK SOLAR – demonstrates three vital industry shifts: "Think of these battery systems as 'energy shock absorbers' – they smooth out the bumps when solar production drops suddenly or demand. Muscat – Nama Power and Water Procurement (PWP) signed an agreement on Monday with a consortium led by Masdar to develop Oman's first utility-scale solar and battery storage project with an investment of RO115mn. The Ibri III Solar Independent Power Project will combine a 500MW photovoltaic plant. As global energy demands surge and renewable integration becomes critical, the Muscat Battery Energy Storage Plant stands as a groundbreaking project reshaping Oman's clean energy landscape. These aren't your grandpa's car batteries. A key component of this transformation is the integration of renewable energy sources, particularly solar power. However, the intermittent nature of solar energy necessitates robust. A Containerized Energy Storage System (ESS) is a modular, transportable energy solution that integrates lithium battery packs, BMS, PCS, EMS, HVAC, fire protection, and remote monitoring systems within a standard 10ft, 20ft, or 40ft ISO container. What regulations and compliance issues pertain to.

Muscat Power Storage

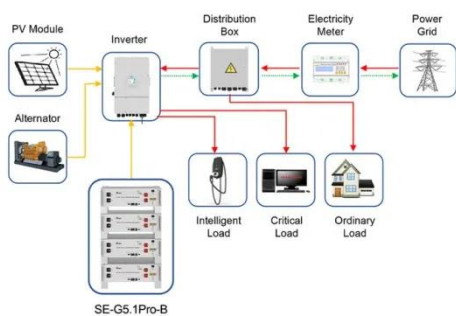


Muscat's Energy Storage Policies: Powering a Sustainable Future

If you're wondering how a desert nation plans to keep its air conditioners humming without melting the planet, Muscat's energy storage policies offer a blueprint worth examining.

MUSCAT HAS BUILT AN ENERGY STORAGE POWER STATION

Castaic Power Plant, also known as the Castaic Pumped-Storage Plant, is a seven unit pumped-storage hydroelectric plant, operated by the Los Angeles Department of Water and Power, which provides ...



Application scenarios of energy storage battery products

Muscat Battery Energy Storage Plant: Powering a Sustainable Future ...

From concept to commissioning, the Muscat Battery Energy Storage Plant exemplifies how strategic energy storage investments can unlock renewable potential while ensuring grid reliability - a ...

Muscat energy storage prospects

Efforts are already in place over there, particularly when it comes to power-to-hydrogen as large-scale energy storage for large hydroelectric power plants (e.g., Paraguay)



Developing Grid-Scale Battery Energy Storage Solutions in Muscat, ...

Oman has recently signed agreements for its first utility-scale solar and battery storage project (500MW Ibri III) and is advancing other large-scale energy storage initiatives, demonstrating a strong ...

Muscat Power Storage System Manufacturer: Powering Oman's Future

While Dubai builds skyscrapers, Muscat's engineering power storage manufacturers are creating underground innovations. Literally - some new installations are being built beneath shopping malls ...





Oman's first RO115mn solar and battery storage project unveiled

Muscat - Nama Power and Water Procurement (PWP) signed an agreement on Monday with a consortium led by Masdar to develop Oman's first utility-scale solar and battery storage project ...

Muscat energy storage power station signed

Muscat - Nama Power and Water Procurement (PWP) signed an agreement on Monday with a consortium led by Masdar to develop Oman's first utility-scale solar and battery storage project with ...



Muscat's New Power Storage Policy: A Game-Changer for ...

You've probably heard about Muscat's new power storage policy in the news lately. But what does it really mean for the future of renewable energy in Oman? Let's cut through the noise .

Contact Us

For catalog requests, pricing, or partnerships, please visit:

<https://www.kidsandparents.pl>

