

# New Energy Power Battery Energy Storage Station



## New Energy Power Battery Energy Storage Station

---

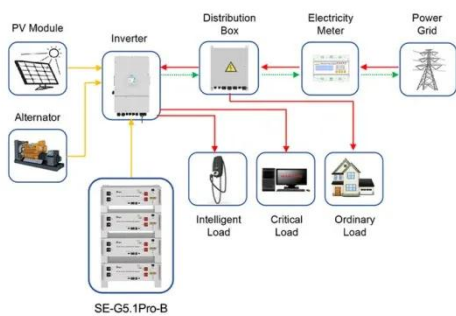


### World's largest AI-powered 12.8 GWh battery storage cluster ...

The multi-project cluster includes the world's largest single-site electrochemical energy storage facility: the 4 GWh Envision Jingyi Chagan Hada Energy Storage Power Station.

### CHINA'S ACCELERATING GROWTH IN NEW TYPE ENERGY ...

The Coverage and Intensity of Policies Continuing to Increase Technological breakthrough and industrial application of new type storage are included in the 2023 energy work of ...



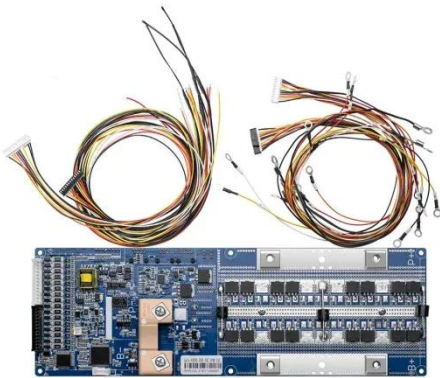
Application scenarios of energy storage battery products

### China's Largest Grid-Forming Energy Storage Station Successfully

It is a strong measure taken by Ningxia Power to implement the "Four Revolutions and One Cooperation" new strategy for energy security, promote the integration of source-grid-load ...

## Battery technologies for grid-scale energy storage

Energy-storage technologies are needed to support electrical grids as the penetration of renewables increases. This Review discusses the application and development of grid-scale battery ...



## China National Energy Administration Released Official Report

The China New Energy Storage Development Report 2025 represents a major milestone in the institutionalization of NES planning and governance in China. By quantifying progress and ...

## Pioneering energy storage system lights up 'roof of the world'

SHENZHEN -- A quiet energy revolution is unfolding on the roof of the world, where air low in oxygen and merciless winters have long dictated the rhythm of life. The world's first intelligent grid ...



## Energy Storage Power Stations in China: Powering the



## Network Era

3 Shocking Numbers That Explain the Rush China added 48GW of new energy storage capacity in 2024 alone - enough to power 12 million homes 90% of the world's lithium battery ...

---

## Tesla to build grid-side energy storage station in Shanghai

It will be Tesla's first grid-side energy storage station to be built on the Chinese mainland. Dong Kun, general manager of Tesla China's energy business, said the station, once launched, will ...



---

## Energy Storage Outlook: The expanding role of BESS in global energy ...

The battery energy storage market continues its rapid growth, reshaping power systems worldwide. After a historic 2025, when global BESS capacity surpassed 250 GW and overtook ...

---

## China leads the world in new-type energy storage capacity

"China's advances in new-type energy storage are moving from isolated breakthroughs to a more systematic framework," said Rao Hong, chief scientist at China Southern Power Grid. Lithium ...



---

## Contact Us

---

For catalog requests, pricing, or partnerships, please visit:  
<https://www.kidsandparents.pl>

