

New Energy Storage Service Small



IP65/IP55 OUTDOOR CABINET

OUTDOOR CABINET WITH
AIR CONDITIONER

OUTDOOR ENERGY STORAGE
CABINET

19 INCH



Overview

Energy Storage as a Service (ESaaS) is changing how businesses manage energy and customer relations. This innovative model offers significant cost savings, flexibility, and contributes to sustainability goals by reducing carbon footprints. Recurrent Energy, a subsidiary of Canadian Solar Inc. It is a leading global developer, owner and. ABB today announced the launch of its new Battery Energy Storage Systems-as-a-Service (BESS-as-a-Service) - a flexible, zero-CapEx solution designed to accelerate the shift to clean, resilient and affordable energy. In response to rising demand and the challenges renewables have added to grid balancing efforts, the power industry has seen an uptick in. Battery Storage Costs Have Reached Economic Viability Across All Market Segments: With lithium-ion battery pack prices falling to a record low of \$115 per kWh in 2024—an 82% decline over the past decade—energy storage has crossed the threshold of economic competitiveness. Utility-scale systems now. New lithium-free energy storage technology generates electricity with no moving parts. This product allows homeowners to store.

New Energy Storage Service Small



Which companies have small energy storage projects?

Small energy storage systems provide an array of benefits, ranging from cost savings to energy reliability. These systems typically utilize lithium-ion batteries, which have become the ...

One-Stop Energy Storage Solution Provider , Wenergy

An energy storage solution is a complete system and service designed to help users store, manage, and release electricity. Its core purpose is to address the imbalance of energy supply and demand across ...



✓ IP65/IP55 OUTDOOR CABINET

✓ OUTDOOR CABINET WITH AIR CONDITIONER

✓ OUTDOOR ENERGY STORAGE CABINET

✓ 19 INCH

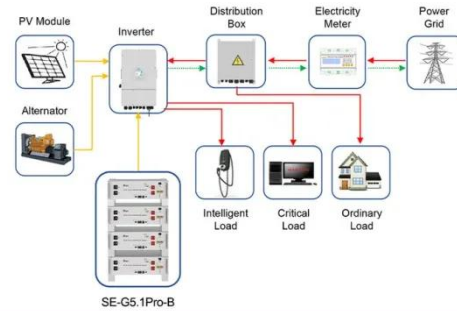


10 cutting-edge innovations redefining energy storage solutions

Here are ten notable innovations taking place across different energy storage segments, as highlighted in GlobalData's Emerging Energy Storage Technologies report.

Energy Storage News , Today's latest by Renewables Now

Latest news on energy storage projects, BESS, capacity expansion, and regulatory updates across Europe, US & Canada, Latin America, and Asia Pacific. Discover how energy storage ...



Application scenarios of energy storage battery products



 TAX FREE

1-3MWh

BESS



Top 111 Energy Storage startups 2026

These startups develop new energy storage technologies such as advanced lithium-ion batteries, gravity storage, compressed air energy storage (CAES), hydrogen storage, etc. Noon ...

Energy Storage as a Service: A New Business Model

Energy Storage as a Service (ESaaS) is changing how businesses manage energy and customer relations. This innovative model offers significant cost savings, flexibility, and contributes to ...



-  ALL IN ONE
-  100Kw/174Kwh High Capacity
-  Intelligent Integration

ABB introduces Battery Energy Storage Systems-as-a-Service

ABB today announced the launch of its new Battery Energy Storage Systems-as-a-Service (BESS-as-a-Service) - a flexible,



zero-CapEx solution designed to accelerate the shift to ...

Renewable Energy Storage: Complete Guide to Technologies, ...

This comprehensive guide will explore the complete spectrum of renewable energy storage technologies, from established solutions like pumped hydroelectric storage to cutting-edge ...



ESS



New Long Duration Energy Storage Kisses Fossil Fuels Goodbye

In the new announcement, Fourth Power stated that its thermal energy storage system costs less than \$25/IWh-e and is scalable up to 100+ hours of storage. The system is also modular, ...

30 new energy enterprises are set to emerge in the energy storage

In 2023, Trina Energy will accelerate its expansion into overseas markets, and the first overseas 100-megawatt energy storage project will be successfully shipped in June, which will build ...

Highvoltage Battery



Contact Us

For catalog requests, pricing, or partnerships, please visit:
<https://www.kidsandparents.pl>

