

# New solar power plant



## Overview

---

What follows are the top 10 solar power plants that are actually operational and verifiably producing power as of 2025. No speculative or half-built megaprojects and planned expansions. These. Note: Capacity values represent the amount of generating capacity at utility-scale power plants (greater than 1 megawatt). Other renewables include geothermal, waste biomass, wood biomass, and pumped storage hydropower. In our latest Short-Term Energy Outlook (STEO), we expect that U. 1 GWdc of capacity in the first quarter of 2023, a 47% increase from the same period in 2022. Solar accounted for 54% of all new.

## New solar power plant

---

### Major Solar Projects List



The Major Solar Projects List is a database of all ground-mounted solar projects, 1 MW and above, that are either operating, under construction or under development.

---

### [2026] Top 12 Biggest Solar PV Farms in USA

Copper Mountain Solar Facility, Solar Star, and Ivanpah are few of the largest solar PV plant projects in the US. Check the complete list of 12 largest solar park projects in the USA.



### New solar plants expected to support most U.S. electric generation

In our latest Short-Term Energy Outlook (STEO), we expect that U.S. renewable capacity additions--especially solar--will continue to drive the growth of U.S. power generation over the next ...

## Orange & Rockland partners with Sunrun to Build and Operate New ...

During the summer of 2024, Orange and Rockland Utilities (O&R) and Sunrun, a home solar panel and battery storage company, successfully launched New York's largest residential ...



## 10 large solar projects in development for 2024

FirmoGraphs is tracking more than 100 very large solar projects starting construction in 2023 with a total estimated value of nearly \$40 billion.

## US , Concentrating Solar Power Projects , NLR

Concentrating solar power (CSP) projects in United States are listed below alphabetical by project name. You can browse a project profile by clicking on the project name. You can also access ...



## US solar plant construction is on a record-breaking... , Canary Media

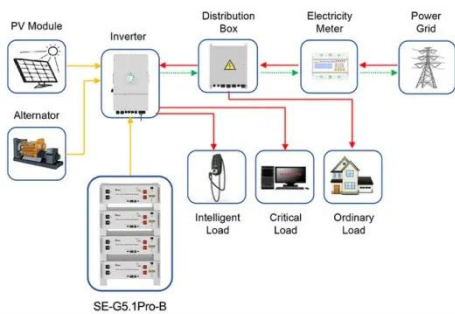
The U.S. is still on track to build a record amount of new solar capacity this year,

even as the Trump administration works to obstruct renewables. As it stands, the power industry is building ...



## Four new solar farms open in NY: See where they're located

There are four new solar projects in New York, adding about 27 megawatts to the state's grid, as the renewable energy source continues to be the cheapest way to bring more capacity online.



Application scenarios of energy storage battery products

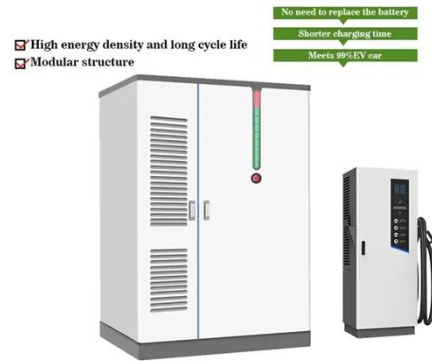
## New York's largest solar power plant moves forward

Adding a half gigawatt of solar moves New York closer to its goal of net zero by 2040. As of Q4 2024, the state had 6.6 GW of solar installed, which provided 8% of electricity needs.

## World's 10 biggest solar power projects transforming ...

Discover the world's biggest operational solar farms and the mega projects set to reshape tomorrow's renewable energy

landscape.



---

## Contact Us

For catalog requests, pricing, or partnerships, please visit:  
<https://www.kidsandparents.pl>

