

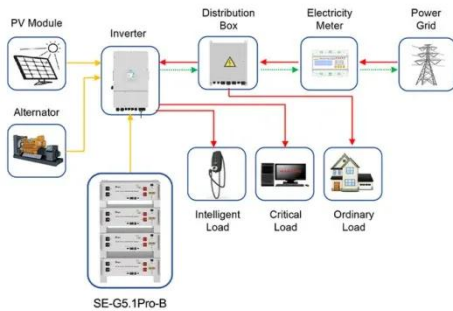
Off-grid photovoltaic integrated energy storage cabinet type discount



Overview

Request quotes, compare prices, and simplify your procurement. Highly Integrated System: Includes power module, battery, refrigeration, fire protection, dynamic environment monitoring, and energy management in a single unit. The BSLBATT PowerNest LV35 hybrid solar energy system is a versatile solution tailored for diverse energy storage applications. Equipped with a robust 15kW hybrid inverter and 35kWh rack-mounted lithium-ion batteries, the system is seamlessly housed in an IP55-rated cabinet for enhanced protection. The Symtech Solar Battery Energy Storage Cabinet (MEG 100kW x 215kWh) is a fully integrated, PV-ready hybrid energy storage solution designed for both on-grid and off-grid applications. Its. Features grid-tie, off-grid, feed-in, self-consumption, and peak shaving modes. Standardized modular design allows for parallel connection of multiple units, enabling easy expansion to MWh-level capacity. Utilizes high-performance 314Ah LiFePO4 cells, with a single cabinet capacity of up to 64kWh. The client approached E-label to design and produce a solar battery storage cabinet that not only protects sensitive electrical equipment but also enhances the overall aesthetics and ease of installation. This integrated solar battery storage cabinet is engineered for robust performance, with system configurations readily scalable to meet demands such as a 100kwh battery storage.

Off-grid photovoltaic integrated energy storage cabinet type discou



Application scenarios of energy storage battery products

Integrated photovoltaic storage and off-grid machine/cabinet

Offers a turnkey solution, saving on-site installation and commissioning time.

VoltaNest Outdoor 30KW 64kWh Photovoltaic Cell Solar System ...

Key attributes Battery Type LiFePO4 Grid connection Hybrid grid, Off grid, On grid Place of Origin Anhui, China Model Number VN-HES30-HC64 Brand Name VoltaNest Dimension (L*W*H) ...



Custom Solar Battery Storage Cabinets with NEMA 3R Enclosures -- ...

Discover E-abel's custom UL-certified solar battery storage cabinets with NEMA 3R enclosures, designed for U.S. solar engineering projects. Optimized for off grid solar battery systems ...

SNADI Integrated PV Energy Storage Cabinet

Integrated BMS/PCS/EMS supports diverse applications. DC coupling, full fault protection, low battery cycling, auto current sharing, and fast delivery with reliable testing.



Off-grid energy storage cabinet for solar power generation

Off-grid energy storage cabinet for solar power generation -- PWM inverter technology, quasi-sine wave output, stable power supply.

15kW / 35kWh Hybrid Solar System Integrated Energy Storage Cabinet

Equipped with a robust 15kW hybrid inverter and 35kWh rack-mounted lithium-ion batteries, the system is seamlessly housed in an IP55-rated cabinet for enhanced protection against water and dust, ...

Support any customization

-
-
-



Outdoor Cabinet Energy Storage System (Air-Cooled) - Modular Energy



The ELECOD Outdoor Cabinet Energy Storage System (Air-Cooled) is a highly efficient and scalable energy storage solution, designed for use in microgrid scenarios such as commercial, industrial, and ...

100 kWh-500kWh Outdoor All-in-one Energy Storage Cabinet

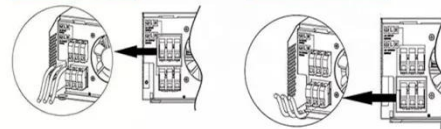
This integrated solar battery storage cabinet is engineered for robust performance, with system configurations readily scalable to meet demands such as a 100kwh battery storage requirement.

Parallel (Parallel operation up to 6 unit (only with battery connected))



AC input wires

AC output wires



Outdoor Integrated Energy Storage Cabinet_On And Off Grid

Outdoor Integrated Energy Storage Cabinet Outdoor Integrated Energy Storage Cabinet Place Of Origin: Foshan, Guangdong Province, China BrandName: Tanfon Solar MOQ: 1 set,Accpet OEM ...

100kW x 215kWh Energy Storage Cabinet

The Symtech Solar Battery Energy Storage Cabinet (MEG 100kW x 215kWh) is a fully integrated, PV-ready hybrid energy storage solution designed for both on-grid and off-grid applications. Built with ...



Contact Us

For catalog requests, pricing, or partnerships, please visit:
<https://www.kidsandparents.pl>

