

Off-grid pricing for Middle Eastern mobile energy storage containers



Overview

Report Summary: This report analyses the cost of utility-scale lithium-ion battery energy storage systems (BESS) within the Middle East utility-scale energy storage segment. MARKET OPPORTUNITIES AND FUTURE TRENDS Energy storage is the technique of storing energy in specific equipment or systems so that it can be used when needed later. This enables businesses and sectors to save energy and use it when demand rises, or grid failures occur. 93 Bn in 2024 & is projected to reach USD 65. 50% What Are Off-Grid Energy Storage Systems in the Middle East and Africa?

Off-grid energy storage systems in the Middle East and Africa are solutions. BYD Energy Storage has signed a 12.3 GWh off-grid system at the. As costs for lithium-ion and advanced flow batteries continue to decline, and as manufacturers earn critical certifications (UL 9540A, IEC 62619, UN 38.3), mobile energy storage in Middle East will transition from pilot to mainstream deployments—unlocking substantial ROI for project developers.

Off-grid pricing for Middle Eastern mobile energy storage container



The word "off" as a measurement unit

Someone uses "off" as a measurement unit, such as "2 off tablets". But I can't find this meaning in dictionary. Is it a non-standard usage, or just a very old one? Thanks~

Middle East and Africa Off-Grid Energy Storage Systems

Off-grid energy storage systems in the Middle East and Africa are solutions designed to store electricity generated from renewable sources like solar or wind, for use in areas not connected ...

Modular design,
unlimited combinations in parallel
BUILT-IN DUAL FIRE PROTECTION MODULE



18650 3.7V
RECHARGEABLE BATTERY
Li-ion
2000mAh



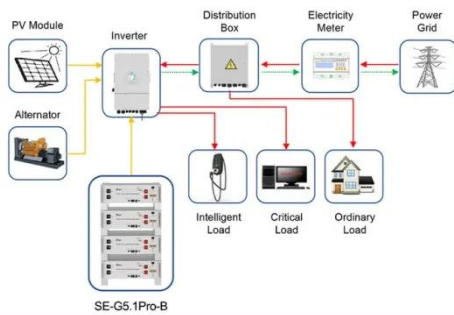
get off my bed vs. get out of my bed? , WordReference Forums

Hi, What is the difference of 'get off my bed' and 'get out of my bed'? Are they interchangeable? I was wondering if 'off' is particularly away from the surface of the bed while 'out of' ...

MIDDLE EAST UTILITY SCALE ENERGY STORAGE PRICING ...

What is HJ mobile solar container?The HJ Mobile Solar Container comprises a wide range of portable containerized solar power systems with highly efficient folding solar modules, advanced lithium

...



Application scenarios of energy storage battery products

get off work or take off work? , WordReference Forums

Your choices (get off work, finish work, leave work) will all work fine finishing the question about a normal working day. I don't see much difference in formality, if any.

Container Energy Storage Off Grid Solar System Market

Regional regulatory frameworks and energy policies directly shape market dynamics for containerized off-grid solar storage solutions by altering cost structures, deployment timelines, and ...



MIDDLE EAST ENERGY STORAGE PRICING REPORT 2025

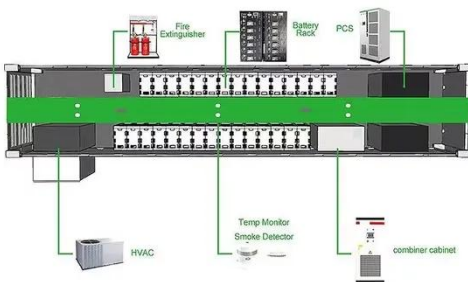
Middle East Energy Storage Pricing



Report 2025 - Data - This report analyses the cost of utility-scale lithium-ion battery energy storage systems (BESS) within the Middle East utility-scale energy storage ...

I get off from work instead of I get off work

Yeah. It's not too common though. The two most common formulations are: I get off work at 5. and I get off of work at 5. At least where I live, "get off from" is used, but not as readily as those ...



Once-off or One-off

Hello, Does anyone know what is the difference between 'once-off' and 'one-off' or whether once-off is used across the English-speaking world? Recently an English colleague corrected me ...

Off-grid type energy storage container for Middle Eastern farms

Energy storage is the technique of storing energy in specific equipment or

systems so that it can be used when needed later. This enables businesses and sectors to save energy and use it when demand ...



Mobile Energy Storage in Middle East - Market Trends, Use Cases

Whether you're comparing different solutions, exploring off-grid applications, or seeking a reliable Middle East mobile energy storage manufacturer, we're here to assist you every step of the way!

Hats off to you (sexist?) , WordReference Forums

"hats off to you" is generally a safe and well-understood way to express your appreciation and respect in contemporary English, including in work-related emails to colleagues of any gender. ...



to drop off a meeting

Hello everyone! In a meeting I have heard people say "I need to drop off the



meeting" and "I need to drop off to another meeting", and I wonder if the use of drop off is correct in this ...

off the back of something

What is the meaning of "off the back of something" Also, I searched for any old posts in here, and I was able to find this one. Off the back of this Therefore, I am really confused whether "off ...

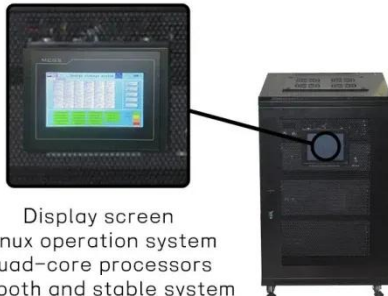
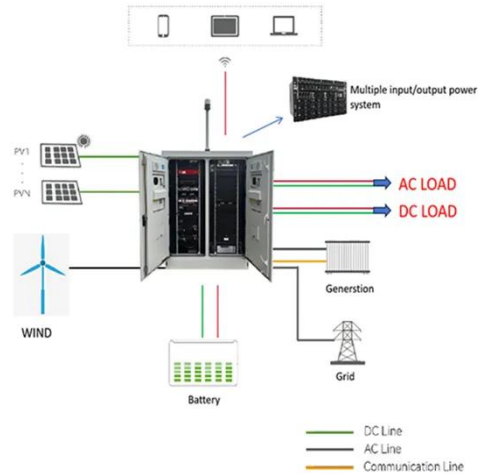


Off-Grid Mobile Energy Solutions & Microgrids

Expert provider of Mobile Solar Containers, BESS Trailers, and Hybrid Solar-Diesel Microgrids. We help mining, construction, and industrial sites in Saudi Arabia reduce fuel costs by 80%.

I am off to work

"I am off to work now" Does it mean that I am about to work now. Thanks.



Display screen
Linux operation system
quad-core processors
smooth and stable system

I'm off next week vs I'll be off next week , WordReference Forums

Ditto, and to (2) you could add "I won't be in next week". In fact, you could take a week off trying to decide which one to use . They are all in the same register, and for normal conversational ...

Off-grid cost of energy storage containers for Middle Eastern mines

Report Summary: This report analyses the cost of utility-scale lithium-ion battery energy storage systems (BESS) within the Middle East utility-scale energy storage segment,



MIDDLE EAST UTILITY SCALE ENERGY STORAGE PRICING ...



By connection type, on-grid installations held a 78% share of the battery energy storage system market in 2024; off-grid applications are the fastest-growing segment at 18.5% CAGR.

MIDDLE EAST ENERGY STORAGE PRICING REPORT 2025

Polinovel 2MWH commercial energy storage system (ESS) is tailored for high-capacity power storage, ideal for large-scale renewable energy generation, PV self-consumption, off-grid applications, peak ...



Contact Us

For catalog requests, pricing, or partnerships, please visit:
<https://www.kidsandparents.pl>

