

Ordinary solar glass load-bearing



Overview

This article shows how to design glass solar panels with RFEM 6, assess their load-bearing capacity, calculate utilization, and simulate special scenarios such as partial snow accumulation. In the ever-evolving solar industry, the design and installation of photovoltaic systems must account for a. In this paper, attention is paid to the elaboration of thermal and mechanical considerations for glass-glass BIPVs under increasing temperatures. For comparative purposes, a 400 × 400 mm tempered prototype is investigated. In a preferred embodiment, each of the photovoltaic strips is derived from dicing a solar cell in to each of the strips. Each of the strips is a functional solar cell. The structural integrity is.

Ordinary solar glass load-bearing



WO2012091782A1

In a preferred embodiment, the impact resistant glass member comprises a planar region and a concentrator region comprising the plurality of elongated concentrating element spatially arranged in

Numerical Study on the Early Out-of-Plane Mechanical Response ...

The thin glass covers are in fact rather vulnerable components, and appropriate methods of analysis are needed to determine their performance during both ordinary design processes and accidental load ...



Designing Glass Solar Panels: Assessing Load-Bearing

This article shows how to design glass solar panels with RFEM 6, assess their load-bearing capacity, calculate utilization, and simulate special scenarios such as partial snow ...

Multi-Antioxidant Radiance Serum

I have started using the ordinary new growth factor serum in the mornings so perhaps it's a combination of both. I've been using the radiant serum at night and the growth factor in the morning as I know you ...



Skincare Regimen Builder , The Ordinary

Use The Ordinary's skincare Regimen Builder to build a personalized routine for your specific skin type and needs.

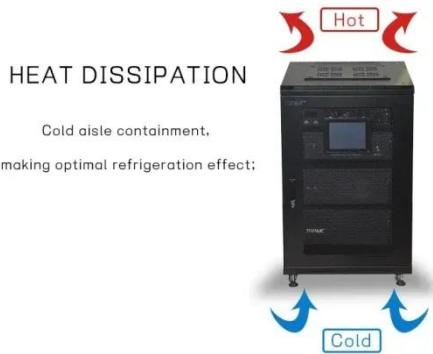
Moisturizers , Skincare , The Ordinary

The Ordinary's scientifically-backed moisturizing solutions keep skin protected and well-hydrated. Shop now and tackle your dry skin concerns.



Skincare Sets

The Ordinary's skincare sets take guessing out of the equation. Each set is scientifically-backed to support your skincare routines and skin concerns.



The Ordinary , The Ordinary

The Ordinary is your destination for Skincare, Makeup, Hair, and Body solutions. Discover clinical formulations with integrity.

ESS



Skincare & Body Products , The Ordinary

The Ordinary is your destination for Skincare, Makeup, Hair, and Body solutions. Discover clinical formulations with integrity. Order now.

Photovoltaic transparent glass load-bearing

That's exactly what load-bearing photovoltaic (PV) glass delivers. This innovation merges structural integrity

with solar energy harvesting, creating dual-purpose solutions for modern



(PDF) An Overview of Tempered Glass Load Bearing Capability and

Chemically strengthened glass has demonstrated a greater impact resistance than heat-strengthened or tempered glass, particularly in thinner glass, and greater flexibility.

The Ordinary , Clinical Formulations with Integrity

The Ordinary is your destination for Skincare, Makeup, Hair, and Body solutions. Discover clinical formulations with integrity.



How much weight can high-strength solar panels bear?

Utilizing high-strength solar panels offers numerous advantages beyond mere load-

bearing capacity. They exhibit superior durability, allowing them to last longer and perform better ...



Serums , Skincare

The Ordinary's vegan serums target most skin concerns, like dullness, signs of aging, and dryness. Shop now and add a new face serum to your regimen.



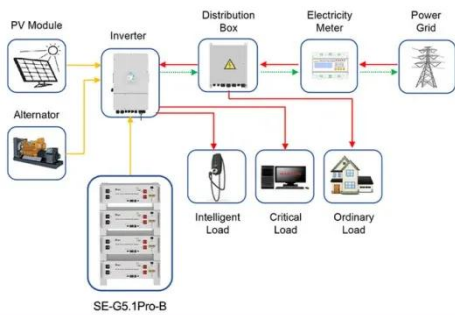
Photovoltaic panel tempered glass load-bearing

typical glass solar panel needs a 45mm frame. Glass by itself is not strong enough to meet the IEC / UL mechanical load strength requirements (2400pa). Tempered or not, glass is breakable. We have in ...

Skincare Products , Serums, Oils, & More

Shop The Ordinary's entire skincare line.
Search by active ingredient, skin

concern, or product type. Everything you need for your beauty regimen.



Application scenarios of energy storage battery products

Designing Glass Solar Panels: Assessing Load-Bearing Capacity and

Explore how to design glass solar panels, evaluate load-bearing capacity, and simulate real-world scenarios like snow on solar panels using RFEM 6. more

Contact Us

For catalog requests, pricing, or partnerships, please visit:
<https://www.kidsandparents.pl>

