

Photovoltaic energy storage cabinet type

CE UN38.3 



Overview

Employing a standardized design, the lithium battery system, battery management system, firefighting system, liquid cooling thermal management system, and power distribution system are integrated within a single cabinet, offering commercial and industrial users a highly safe. Employing a standardized design, the lithium battery system, battery management system, firefighting system, liquid cooling thermal management system, and power distribution system are integrated within a single cabinet, offering commercial and industrial users a highly safe. Photovoltaic energy storage cabinets are advanced solutions integrating solar energy systems for efficient power management. These cabinets store excess solar energy, 2. provide backup electricity during outages, 3. contribute to environmental sustainability. This ESS Buyer's Guide is a comprehensive list of what each brand is offering in the residential and C&I space heading into 2025. We sent a questionnaire to every manufacturer to ascertain their top product and what components are included. As we advance towards integrating more renewable energy sources, the. Among the various options, energy storage cabinets offer a robust and organized way to house and manage your power reserves. This guide will walk you through the key considerations for selecting, installing, and maintaining these essential systems, helping you make an informed decision for your. The photovoltaic energy storage control cabinet adopts the design concept of "coordinated control of photovoltaic energy storage", deeply integrates the core equipment of photovoltaic and energy storage system, and integrates the core components such as 200kW STS static switch, dual 50kW DC/ DC.

Photovoltaic energy storage cabinet type

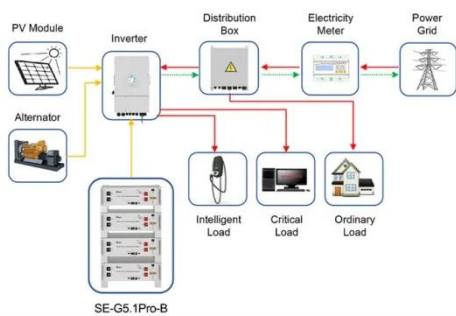


Energy Storage Cabinets: Key Components, Types, and Future ...

Photovoltaic energy storage cabinets are designed specifically to store energy generated from solar panels, integrating seamlessly with photovoltaic systems. Energy storage systems must ...

Energy storage cabinets: Durable design excellence

Are you looking for a backup power solution for occasional outages, or do you need a system to store solar energy for daily use? For industrial applications, the demands might be significantly higher, ...



Application scenarios of energy storage battery products

PV-Storage Cabinet-Type System

Full-stack energy storage solutions, driving a green future with electricity. Covering a full range of products including air-cooled/liquid-cooled outdoor cabinets, containers, and residential storage.

Energy Storage System Buyer's Guide 2025 , Solar Builder

The system consists of: Ready to install liquid-cooled battery energy storage system with one (2-hour version) or two (4-hour version) battery cabinets, and a PCS cabinet.



What is a photovoltaic energy storage cabinet , NenPower

These cabinets typically comprise various components, including battery storage systems, inverters, and energy management systems, which work in tandem to optimize the ...

Photovoltaic energy storage cabinet design

With the rapid development of renewable energy, photovoltaic energy storage systems (PV-ESS) play an important role in improving energy efficiency, ensuring grid stability and promoting energy



15kW / 35kWh Hybrid Solar System Integrated Energy Storage Cabinet



Equipped with a robust 15kW hybrid inverter and 35kWh rack-mounted lithium-ion batteries, the system is seamlessly housed in an IP55-rated cabinet for enhanced protection against water and dust, ...

SPECIFICATIONS-230KAir Cooling Energy Storage System

Product Introduction The photovoltaic energy storage control cabinet adopts the design concept of "coordinated control of photovoltaic energy storage", deeply integrates the core ...



Outdoor Cabinet Energy Storage System (ESS) for PV Storage

The ELECOD Outdoor Cabinet ESS for PV Storage & Charging offers an integrated and scalable energy storage solution designed for photovoltaic energy generation and charging applications.

Photovoltaic Energy Storage System Cabinet: Your Ultimate Guide to

Enter the photovoltaic energy storage system cabinet - the unsung hero of solar power setups. This article is your backstage pass to understanding why these metal boxes are rewriting the ...



Contact Us

For catalog requests, pricing, or partnerships, please visit:
<https://www.kidsandparents.pl>

