

# Photovoltaic energy storage integrated board



## Overview

---

By utilizing photovoltaic panels on building rooftops and sunshades in parking lots, an energy storage system is configured to achieve "self-consumption with surplus energy storage." This effectively reduces the impact of charging stations on the grid load. The AES Lawai Solar Project in Kauai, Hawaii has a 100 megawatt-hour battery energy storage system paired with a solar photovoltaic system. Sometimes two is better than one. The reason: Solar energy is not always produced at the time. Energy storage systems (ESSs) for residential, commercial and utility solar installations enable inverters to store energy harvested during the day or pull power from the grid when demand is lowest, delivering this stored energy when demand is high. To cope with the problem of no or difficult grid access for base stations, and in line with the policy trend of energy saving and emission reduction, Huijue Group has launched an. Primarily used in factories, shopping malls, and similar locations, this system facilitates peak shaving, off-peak energy storage, and backup power functions. This conversion process occurs through the photovoltaic effect, wherein solar panels, composed of semiconductor materials, absorb solar.

## Photovoltaic energy storage integrated board

---

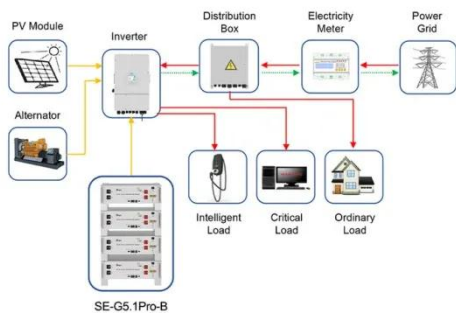


### Solar Integration: Solar Energy and Storage Basics

Sometimes energy storage is co-located with, or placed next to, a solar energy system, and sometimes the storage system stands alone, but in either configuration, it can help more effectively integrate solar into the ...

## Integrated PV Energy Storage & EV Charging System , Modular

Teison's Integrated Energy Storage System (ICES) combines photovoltaic generation, energy storage, and EV charging into a modular solution. Ideal for commercial applications like factories and shopping malls, it ...



Application scenarios of energy storage battery products

### Photovoltaic energy storage high voltage board

For photovoltaic (PV) systems to become fully integrated into networks, efficient and cost-effective energy storage systems must be utilized together with intelligent demand side management.

## Energy Storage Integration in Photovoltaic Systems: Enhancing Energy

This foundational knowledge sets the stage for a deeper exploration into the various technologies and strategies used in the integration of energy storage with photovoltaic systems, highlighting the ...



### Solar Integration: Solar Energy and Storage Basics

What Is Energy Storage? Advantages of Combining Storage and Solar  
 Types of Energy Storage  
 Pumped-Storage  
 Hydropower  
 Electrochemical Storage  
 Thermal Energy Storage  
 Flywheel Storage  
 Compressed Air Storage  
 Solar Fuels  
 Virtual Storage  
 The most common type of energy storage in the power grid is pumped hydropower. But the storage technologies most frequently coupled with solar power plants are electrochemical storage (batteries) with PV plants and thermal storage (fluids) with CSP plants. Other types of storage, such as compressed air storage and flywheels, may have different characteristics. See more on [energy.gov](http://energy.gov)  
 Images of  
 Photovoltaic Energy Storage Integrated Board  
 Photovoltaic Energy Storage System  
 Solar Pv Energy Storage System  
 Pv System With Battery Storage  
 Photovoltaic Energy Storage Pv Energy Storage System  
 Photovoltaic Battery Storage  
 Solar Pv System With Battery Storage  
 Solar Inverter

Photovoltaic CellGrid Connected Pv System With Battery StorageSmart Grid Solar , Providing Ancillary Services with Utility PV and StorageIntegrating a photovoltaic storage system in one device: A critical How the Grid-Tied Photovoltaic System Works with Hybrid Inverter Wäertsilä's DC-coupled solar-plus-storage hybrid enables Georgia Power Introduction to four application scenarios of photovoltaic combined What is residential photovoltaic energy storage system?China OEM Photovoltaic Energy Storage Integrated Battery Manufacturers 10.1kWp residential PV system with 10kWh energy storage - Virtue SolarisPhotovoltaic Energy Storage Circuit Board,Designing circuit boardsPhotovoltaic (Solar Electric) Systems With Battery BackupSee allTI [PDF]

## **Four Key Design Considerations when Adding Energy ...**

Adding ESS to a solar grid-tie system enables users to reduce costs by a practice known as "peak shaving." In this white paper, I'll explore design considerations in a grid-connected storage ...

---

## **Four Key Design Considerations when Adding Energy Storage to ...**

Adding ESS to a solar grid-tie system enables users to reduce costs by a

practice known as "peak shaving." In this white paper, I'll explore design considerations in a grid-connected storage-integrated solar installation ...



## Energy Storage Equipment, Energy storage solutions, Lithium battery

Huijue Off-Grid Solution integrates photovoltaic, energy storage, and off-grid systems for scalable energy self-sufficiency. The Huijue Group Off-Grid Solution comprises three main components: photovoltaic ...

## Building Integrated Photovoltaics (BIPV)

Building Integrated Photovoltaics is the implementation of photovoltaics as part of the building envelope. The solar collectors serve the dual function of protecting the structure from external environmental conditions, as ...



## Integrating a photovoltaic storage system in one device:

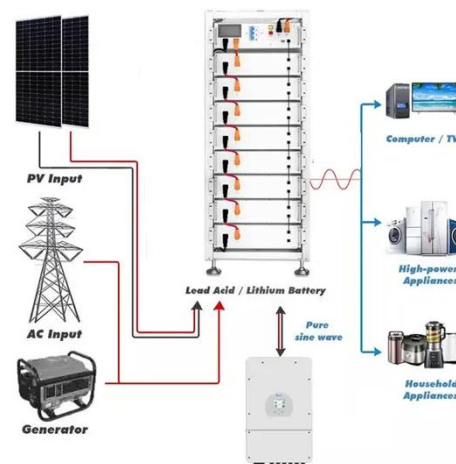


## A critical

We focus on devices that combine solar cells with supercapacitors or batteries, providing information about the structure, materials used, and performance.

## Building-integrated photovoltaics with energy storage systems - A

Currently, several technologies of ESS integrated with BIPVs show their economic feasibility and effective applicability for load management. The integration between the BIPVs and different technologies of ...



## Storage and Charging: Integrated PV Explained

Explore how integrated photovoltaic systems are revolutionizing energy storage solutions. From lithium battery technology to EV charging demands, this article delves into the core components of PV charging stations, ...

**Contact Us**

For catalog requests, pricing, or partnerships, please visit:  
<https://www.kidsandparents.pl>

