

Photovoltaic panel engineering construction specifications



Overview

- Structural engineering requirements: International Building Code (IBC) Chapter 31 prescribes special construction provisions for photovoltaic systems including dead load calculations, live load factors, wind resistance criteria, seismic design considerations, and structural.
- Structural engineering requirements: International Building Code (IBC) Chapter 31 prescribes special construction provisions for photovoltaic systems including dead load calculations, live load factors, wind resistance criteria, seismic design considerations, and structural. The Renewable Energy Ready Home (RERH) specifications were developed by the U. Environmental Protection Agency (EPA) to assist builders in designing and constructing homes equipped with a set of features that make the installation of solar energy systems after the completion of the home's. Photovoltaic (PV) systems (or PV systems) convert sunlight into electricity using semiconductor materials. A photovoltaic system does not need bright sunlight in order to operate. It can also generate electricity on cloudy and rainy days from reflected sunlight. The way you design and bolt them down completely changes depending.
- Design Development stage: The Architectural/Engineering Design Professional (A/E) is responsible for providing a DD level Roof Plan, showing available roof area (or other available space on select projects), to be used by solar firms in determining solar production targets. Construction Documents.
- International standards framework: IEC 61215 crystalline silicon module qualification standards ensure design integrity and type approval for terrestrial photovoltaic modules, while IEC 61730 establishes comprehensive safety qualification requirements covering construction specifications and. This chapter describes the main activities, concerns, and requirements to be met during the construction phase of a PV plant. In this phase, the solar power plant is installed based on installation manuals provided by suppliers to assure the proper storage, handling and installation of mounting.

Photovoltaic panel engineering construction specifications

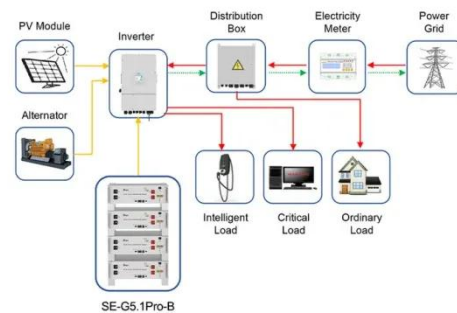


Solar Photovoltaic: SPECIFICATION, CHECKLIST AND GUIDE

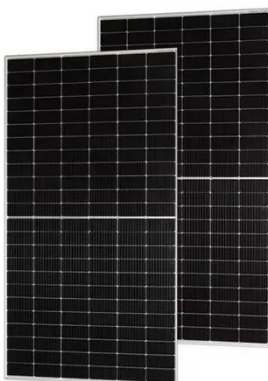
The RERH specifications and checklists take a builder and a project design team through the steps of assessing a home's solar resource potential and defining the minimum structural and system ...

Understanding Structural Engineering Requirements For Rooftop ...

Modern building codes introduced in 2015 and 2018 now mandate specific requirements for roof-mounted photovoltaic systems, including treating solar panels as dead load and incorporating wind ...



Application scenarios of energy storage battery products



Updated Solar Photovoltaic (PV) Specification

Photovoltaic panels (modules) use sunlight for the creation of electricity. They that can be used to power lighting, plug loads, cooling systems, and any other component to diminish thewith the goal of ...

Guidance on large-scale solar photovoltaic (PV) system design

Guidance on designing and operating large-scale solar PV systems. Covers location, design, yield prediction, financing, construction, and maintenance.



Structural Requirements for Solar Panels -- Exactus Energy

This comprehensive guide outlines the structural requirements for solar panels and provides an overview on the inner workings of the installation process.

Guide to Industrial-Scale Solar PV Construction Project

This comprehensive technical framework document provides detailed guidance for industrial-scale solar PV construction projects implementing international best practices adapted to ...



Design and Sizing of Solar Photovoltaic Systems

Dual use - Solar panels are expected to



increasingly serve as both a power generator and the skin of the building. Like architectural glass, solar panels can be installed on the roofs or facades of residential and ...

Solar PV Guidline

Provide guidance to designers and installers of our PV projects. It outlines the key attributes of, and expectations for, PV systems on APS projects. It is the District's intent to incorporate solar power whenever ...



Mastering Photovoltaic Panel Construction Drawings: From Blueprint ...

Ever tried assembling furniture without instructions? That's what installing solar panels feels like without proper photovoltaic panel construction drawings. These technical documents are the DNA of any ...

Contact Us

For catalog requests, pricing, or partnerships, please visit:
<https://www.kidsandparents.pl>

