

Photovoltaic panel lower pressure plate installation specifications



Overview

This step-by-step guide will provide you with all of the information necessary to successfully install a rooftop solar panel system. It will cover everything from planning and. 3 Product quality. The Renewable Energy Ready Home (RERH) specifications were developed by the U. Environmental Protection Agency (EPA) to assist builders in designing and constructing homes equipped with a set of features that make the installation of solar energy systems after the completion of the home's. Recent data from the 2024 SolarTech Industry Report shows that 23% of warranty claims in Q4 2023 were linked to mounting system failures - and pressure plates played a crucial role in 68% of these cases. This reduces hot spots and enhances the system's cooling effectiveness. Installation should only be performed by qualified personnel. Before installing a solar photovoltaic system, installers should familiarize themselves with the manual. This Installation Manual contains essential information for electrical and mechanical installation that you must know before handling, installing JA Solar Modules. This Manual also contains safety How Do Solar Panels Work?

(Details Explained + Diagrams) There are three types of solar energy systems.

Photovoltaic panel lower pressure plate installation specifications



Photovoltaic panel installation technical specifications

The Federal Energy Management Program (FEMP) provides this tool to federal agencies seeking to procure solar photovoltaic (PV) systems with a customizable set of technical specifications.

PV framing and bonding technical manual

This manual will aid in developing a basic quality assurance program around the use of sealants in solar PV applications that require durability and reliability. Since PV frames and modules vary in design ...



Solar Photovoltaic: SPECIFICATION, CHECKLIST AND GUIDE

About the Renewable Energy Ready Home Specifications Assumptions of the RERH Solar Photovoltaic Specification Builder and Specification Limitations
1.5 Document the solar resource potential at the designated array location
3.3 Install a conduit for the

AC wire run from the designated inverter location to the electric service panel
4.2 Record the name and Web address of the electric utility service provider
5.1 Landscape Plan
5.2 Placement of non-array roof penetrations and structural building elements
Appendix A: RERH Labeling Guidance
The Renewable Energy Ready Home (RERH) specifications were developed by the U.S. Environmental Protection Agency (EPA) to assist builders in designing and constructing homes equipped with a set of features that make the installation of solar energy systems after the completion of the home's construction easier and less expensive. The specifications See more on

The Critical Role of Pressure Plates in Solar Photovoltaic Panel

You know, when we talk about solar panel installations, most people immediately think about photovoltaic cells or inverters. But here's the thing - without properly engineered pressure plates, ...

Photovoltaic panel lower pressure plate installation process

When you're looking for the latest and most efficient Photovoltaic panel lower pressure plate installation process for your PV project, our website offers a comprehensive selection of cutting ...



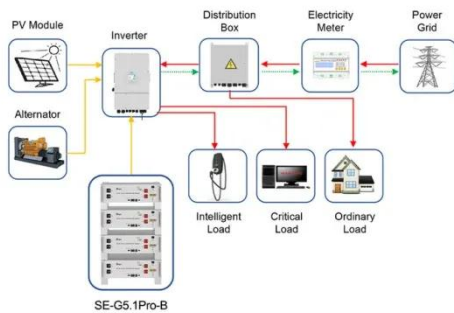


How to use the photovoltaic panel pressure plate

Firstly, each solar panel should be wrapped individually. The use of a cushioning material such as bubble wrap or foam can provide a protective layer against accidental knocks or bumps.

Technical Specifications for On-site Solar Photovoltaic Systems

Customizable template for federal government agencies seeking the construction of one or more on-site solar PV systems.



Application scenarios of energy storage battery products

Solar Photovoltaic: SPECIFICATION, CHECKLIST AND GUIDE

By following the specification, a builder should feel confident that the proposed array location on a home, built to the RERH specification, will provide a suitable installation environment for a fully operational ...

The Critical Role of Pressure Plates in Solar Photovoltaic

Panel

You know, when we talk about solar panel installations, most people immediately think about photovoltaic cells or inverters. But here's the thing - without properly engineered pressure plates, ...



Photovoltaic Pressure Plate

They cover a complete series including mid clamps, end clamps, and grounding clamps, designed with standardized specifications to precisely match various PV mounting systems, ensuring stable ...

Photovoltaic pressure plate

It is made of high-strength, corrosion-resistant materials and is designed for the installation requirements of various photovoltaic modules (single glass, double glass, single crystal, double crystal).



Contact Us

For catalog requests, pricing, or partnerships, please visit:
<https://www.kidsandparents.pl>

