

Plastic bearing sleeve for photovoltaic tracking bracket



Plastic bearing sleeve for photovoltaic tracking bracket



GSQB PV Support bracket bearings

GSQB is a split bearing specially developed for solar trackers. It has the characteristics of high load capacity, simple installation, self-lubricating and maintenance-free, and high UV resistance.

Solar Tracking Plastic Bearings

Solar tracking plastic bearings are ideal candidates for increasing the efficiency of residential solar tracking systems by following the position of the sun in order to maximize the collection of solar energy.



Precisely Adapted for Outdoor PV Tracking! GSQB-120-075-EC

...

Recently, CSB, a company focusing on the R& D of core PV supporting components, officially launched the solar bracket plastic spherical plain bearing GSQB-120-075-EC, specially ...

GGB EP15 Engineered Plastics bearing for Solar Tracker ...

The new GGB EP 15 engineered plastics solution was developed specifically for use in photovoltaic solar power generation facilities with tracking solar panels. The EP 15 material features excellent UV ...

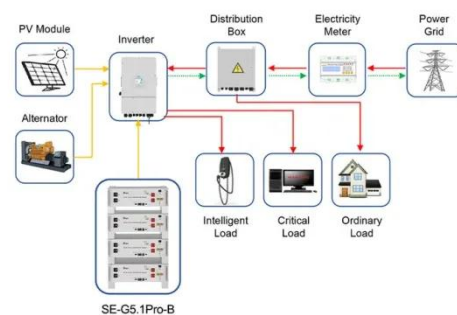


Solar Tracker Bearing , Delrin®

The key component that allows these systems to move is the solar tracker bearings. The materials required for these applications should have low-friction and be able to maintain its ...

GF Bearing Solution for Solar Tracker System-News-GF New Energy

Good Future offers state-of-the-art bearings for solar tracker brackets. These bearings are specifically engineered to enhance the reliability and longevity of solar tracking systems. Good Future bearings ...



Application scenarios of energy storage battery products

solar tracker bearing-Good future solar technologies

Co.,Ltd.



A well-designed bearing system enables efficient tracking, minimizing energy losses caused by friction. It also facilitates faster assembly and helps mitigate the twisting forces generated ...

Durable Plastic Bearings for Solar Trackers

Our fully plastic, spherical solar tracking bearings are designed for high-performance and low-maintenance, providing UV-resistance, weatherproof, self-lubrication, and easy ...



CSB® Solar tracking bracket bearings

The specific low wear, low friction behavior of MN527 facilitates smooth function of the bearing and does not need frequent greasing or maintenance that is required with metal bearings.

? Robust plain and spherical plain bearings for PV systems

Our spherical plain, plain and linear bearings made of high-performance polymers are successfully used, for

example, in tracked PV tracker systems,
fixed mounting systems, floating
photovoltaic systems ...



Contact Us

For catalog requests, pricing, or partnerships, please visit:
<https://www.kidsandparents.pl>

