

Port Louis Off-Grid Solar Container 20MWh



Port Louis Off-Grid Solar Container 20MWh



Standard 20ft containers



Standard 40ft containers

Off-Grid Solar Containers , Energy Independence Delivered

An Off-Grid Solar Container delivered to the property before construction began. The container provided clean, consistent power throughout the entire build process--running saws, drills, welders, and site lighting without ...

20ft PV Container: The Efficient Solution Reshaping the Future of Off

The 20ft solar-powered container is the final answer to speedy deployment, inexpensive power generation and a clean energy tomorrow. Disaster relief after a catastrophe or off-grid manufacturing power, ...



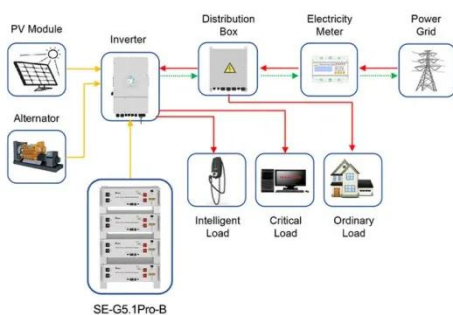
The LunaVault: Transform a 20-ft shipping container into a high

This ambitious endeavor transforms a standard 20-foot shipping container into a high-capacity, modular, and off-grid power system capable of supporting diverse energy needs.



Port Louis solar container system Supplier

LZY Mobile Solar Container System - The rapid-deployment solar solution with 20-200kWp foldable PV panels and 100-500kWh battery storage. Set up in under 3 hours for off-grid areas, construction sites & emergency ...



Application scenarios of energy storage battery products

Shipping Containers for Power Generation & Energy Storage , Boxhub

Convert shipping containers into mobile power stations equipped with generators or solar panels. These can be deployed to remote areas or disaster-stricken regions to provide temporary power solutions. ...

What does the port louis solar container project mainly do

As Port Louis positions itself as Africa's storage testing ground, early investors are getting front-row seats to innovations with global potential. From sand batteries to hurricane-proof



UNLOCKING OFF-GRID POWER: THE ULTIMATE GUIDE TO SOLAR ...

In this comprehensive guide, we delve into the workings, applications, and benefits of these revolutionary systems. Solar energy containers encapsulate cutting-edge technology designed to capture ...

PORT LOUIS PHOTOVOLTAIC ENERGY STORAGE SYSTEM

Emerging markets in Africa and Latin America are adopting mobile container solutions for rapid electrification, with typical payback periods of 3-5 years. Major projects now deploy clusters of 20+ containers creating ...

Applications



Port Louis Energy Storage Cabinet Containers: Powering

114KWh ESS



Mauritius

Port Louis energy storage cabinet containers are transforming how Mauritian businesses manage power reliability and costs. From solar integration to industrial backup systems, these solutions align with national ...

How to Choose the Right Energy Storage Container in Port Louis: A

Choosing the right energy storage container isn't rocket science - but it does require careful planning. By focusing on Port Louis' specific needs and partnering with experienced providers, you'll secure ...



Off-Grid Containers Spec Sheet

You supply the container, RPS will hook you up with the solar panels, no-weld top of container racking system and Watersecure. Our all-in-one WaterSecure kit transforms your shipping container into a ...



Instant Off-Grid(TM) Shipping Containers with Solar and

Batteries and AC+

Beyond mounting the solar panels on the roof of the container on delivery, NO wiring or assembly is required to have your own storage, living space or workspace ready in just a few hours.



Port Louis Off-Grid Solar Container Three-Phase

An Off Grid solar Container unit can be used in a host of applications including agriculture, mining, tourism, remote islands, widespread lighting, telecoms and rural medical centres.

Contact Us

For catalog requests, pricing, or partnerships, please visit:
<https://www.kidsandparents.pl>

