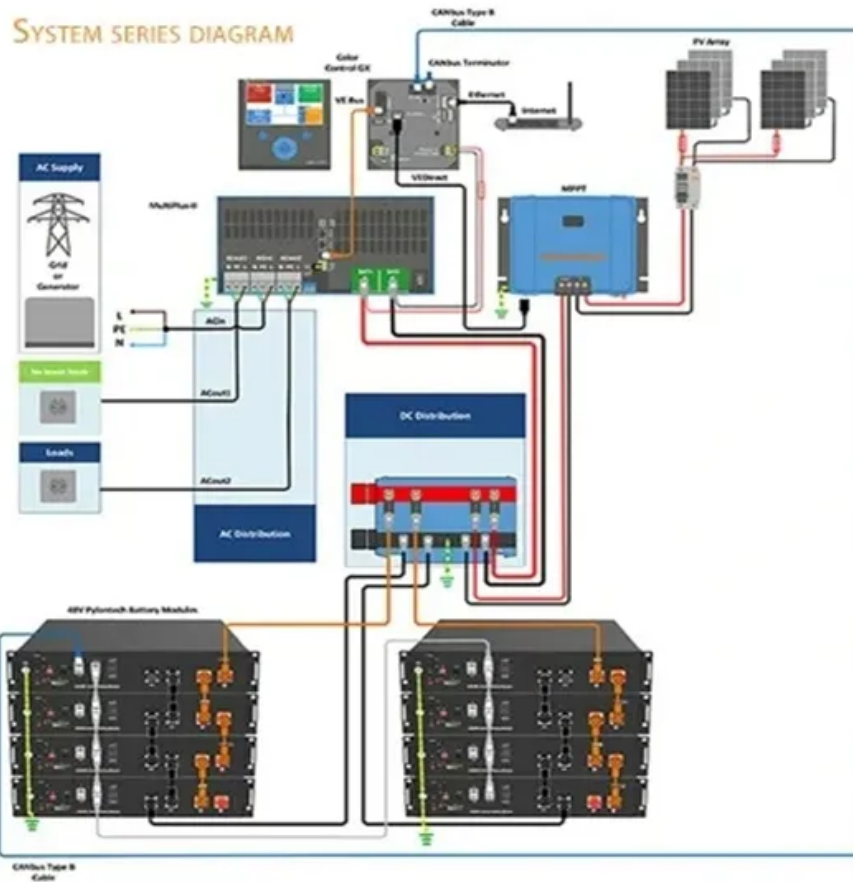


Price of a 10kW Photovoltaic Battery Cabinet for Field Operations



Overview

A 10kW solar battery system typically costs between \$7,000 and \$18,000 installed in 2025, depending on the brand, battery chemistry, and installation complexity. Strong ROI in Specific Markets: 10kW batteries deliver 5-7 year payback periods in markets with high time-of-use rate differentials (like California's NEM 3. It provides the lowest lifetime energy costs with backup capability for both new and retrofit solar customers. As an installer, you can quickly design the right system size to meet the needs of the homeowner. Learn why prices vary and discover actionable insights for 2024. What's Driving the Demand for 10kW Energy Storage. * The ESS. 100215 commercial and industrial photovoltaic energy storage system consists of a built-in 60KW MPPT controller module, a 100KW PCS (Power Conversion System), and a 240KW STS (Smart Static Switching) module. * It utilizes a professional air conditioning system in the energy storage. Let's cut to the chase: battery energy storage cabinet costs in 2025 range from \$25,000 to \$200,000+ - but why the massive spread?

Whether you're powering a factory or stabilizing a solar farm, understanding these costs is like knowing the secret recipe to your grandma's famous pie. com : ECO-WORTHY 10KW Output Home Off-Grid Solar Power System: 30.

Price of a 10kW Photovoltaic Battery Cabinet for Field Operations



Menred Ess Outdoor Cabinet Ess System Commercial Outdoor Battery ...

US\$ 42000/Piece. Company Info. Basic Info. Model NO. * The ESS.I.100215 commercial and industrial photovoltaic energy storage system consists of a built-in 60KW MPPT controller module, a 100KW ...

ECO-WORTHY 10KW Output Home Off-Grid Solar Power System: ...

[Package Includes] Home solar power system complete kit, including 1*10KW solar all-in-one inverter + 6*51.2V 100Ah UL-certified lithium battery + 12*410W solar panel + 6-layer 3U cabinet ...



 **TAX FREE**    

Product Model
HU-ESS-215A(100KW/215KWh)
HU-ESS-115A(50KW/115KWh)

Dimensions
1600*1280*2200mm
1600*1200*2000mm

Rated Battery Capacity
215KWH/115KWH

Battery Cooling Method
Air Cooled/Liquid Cooled



Enphase Encharge 10kWh Battery Storage

The Enphase Ensemble Encharge 10 battery is reliable, smart, simple, and safe. It provides the lowest lifetime energy costs with backup capability for both new and retrofit solar customers. As an installer, ...

Understanding 10kW Energy Storage Battery Prices: Costs, Trends, ...

Understanding 10kW energy storage battery prices requires balancing upfront costs with long-term savings. By evaluating factors like battery chemistry, installation, and local incentives, you can make ...



- IP65/IP55 OUTDOOR CABINET
- OUTDOOR CABINET WITH AIR CONDITIONER
- OUTDOOR ENERGY STORAGE CABINET
- 19 INCH

10KW SOLAR BATTERY STORAGE PRICE GUIDE WHAT YOU ...

FTMRS SOLAR specializes in photovoltaic power generation, solar energy systems, lithium battery storage, photovoltaic containers, BESS systems, commercial storage, industrial storage, PV ...

10 kWh Solar Battery

We have solar battery packs available that provide power storage from 1kWh to more than 100 kWh. Learn the price of 10kWh backup battery power storage for the lowest cost 10kWh batteries.



Battery Energy Storage Cabinet Cost: A 2025

Breakdown for ...



Let's cut to the chase: battery energy storage cabinet costs in 2025 range from \$25,000 to \$200,000+ - but why the massive spread? Whether you're powering a factory or stabilizing a solar ...

...

10kW Solar Battery Storage Price Guide: What You Need to Know in ...

Let's cut to the chase - a 10kW solar battery storage system currently ranges between \$8,900 to \$3,120 depending on configuration and purchase volume. But wait, before you reach for your wallet, there's ...



10kW Solar Battery Price Guide 2025: Complete Cost Breakdown

This comprehensive guide breaks down everything you need to know about 10kW solar battery pricing, from individual component costs to long-term return on investment.



Cost of 10kW Solar System with Battery Storage: 2024

Pricing Guide

What Determines the Price of a 10kW Solar + Battery Setup? Understanding the cost of 10kW solar system with battery storage requires analyzing three core components: solar panels, energy storage ...



Contact Us

For catalog requests, pricing, or partnerships, please visit:
<https://www.kidsandparents.pl>

