

Price of a large-scale energy storage cabinet for Australian base stations



Price of a large-scale energy storage cabinet for Australian base sta



One-Stop Energy Storage Solution Provider , Wenergy

Wenergy is a leading provider of energy storage solutions for utility-scale, C& I, and residential applications. Our ESS products are safe, simple, durable, flexible, and readily available.

Australia: The State of Battery Energy Storage in the NEM

Since then, investment in grid-scale battery energy storage in Australia's National Electricity Market - or NEM - has continued. 25 projects are now commercially operational in the NEM, totalling just under 2 ...

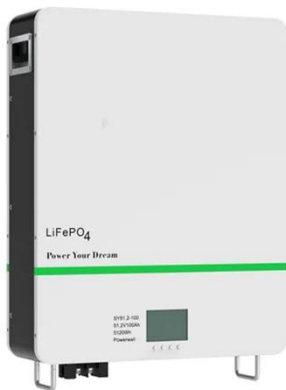


Australia Energy Storage Market Size, Share Analysis , 2026-2034

Utility scale leads with a share of 50.12% of the total Australia energy storage market in 2025. Utility scale represents the largest end user segment in the Australia energy storage market, generating ...

Energy Storage Cabinet Price Guide: Key Factors & Market Trends in ...

Wondering what drives energy storage cabinet equipment prices? This comprehensive guide breaks down cost standards, industry benchmarks, and purchasing strategies for commercial buyers.



UNDERSTANDING THE BESS MARKET IN AUSTRALIA

The National Electricity Market (NEM) is projected to require 19GW/55GWh of dispatchable BESS storage by 2030, increasing to 42GW/170GWh by 2050, with the majority of demand focused on ...

Battery Stations , Commercial Energy Storage Systems

We'll help you determine the right Battery Energy Storage System based on power output and environmental factors to ensure efficiency and reliability. Contact our team today to learn more about ...



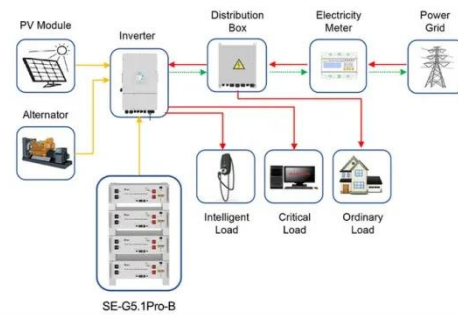


Australia's Energy Storage Benchmark Reveals the True Cost of ...

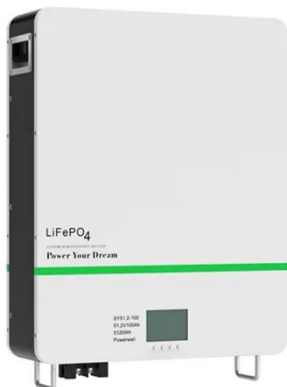
A newly released analysis from the Western Australian Economic Regulation Authority (ERA) sheds light on this question, offering a detailed cost benchmark for a 200 MW / 800 MWh ...

BESS System , Battery Energy Storage System

Our BESS systems are all-weather suited, with three different cabinet variations to suit any weather environment. With isolated output and online UPS for grid-connected applications, you have access ...



Application scenarios of energy storage battery products



All-in-One Energy Storage Cabinet & BESS Cabinets , Modular, ...

Featuring lithium-ion batteries, integrated thermal management, and smart BMS technology, these cabinets are perfect for grid-tied, off-grid, and microgrid applications. Explore reliable, and IEC ...

Energy Storage Equipment,

Energy storage solutions, Lithium battery

To cope with the problem of no or difficult grid access for base stations, and in line with the policy trend of energy saving and emission reduction, Huijue Group has launched an innovative

...



Contact Us

For catalog requests, pricing, or partnerships, please visit:
<https://www.kidsandparents.pl>

