

# Price quote for grid-connected solar-powered containers used in Indian ports



## Overview

---

The report will help the Photovoltaic Container manufacturers, new entrants, and industry chain related companies in this market with information on the revenues, production, and average. Each day's challenge presents a central idea, prompting players to uncover multiple hidden words embedded within a grid of letters. JM Financial initiates coverage on Adani Power with a Buy rating and a target of Rs 178, citing robust capacity expansion, strong execution and India's growing thermal. The price of an energy storage container can vary significantly depending on several factors, including its capacity, technology, features, and market conditions. As compared to traditional fixed solar-plus-storage systems, containerized. Looking to build off-grid power solutions with shipping containers?

Boxhub is the leading provider of new and used shipping containers for solar panel installations and battery storage. Boxhub is. The global shift to renewable energy and energy independence is accelerating demand for photovoltaic (PV) containers.

## Price quote for grid-connected solar-powered containers used in India



### Price quote for grid-connected photovoltaic containers used in

...

The price of an energy storage container can vary significantly depending on several factors, including its capacity, technology, features, and market conditions.

## PRICE OF GRID CONNECTED SOLAR CONTAINERS FOR INDIAN ...

Can India's renewable energy surge deliver reliable power or will the grid collapse? India's renewable energy growth is impressive, but a reliable power supply remains a challenge.

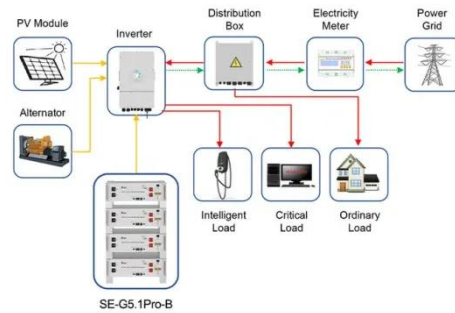


## Global Photovoltaic Container Market Size, Share & Trends Analysis ...

PV containers face higher transport and last-mile costs in challenging geographies. Transporting 20-40 ft units to Nepal's Himalayas can cost 4-8 times more than urban deployments.

## No.1 Capacity Solar Container , Solarabox

Pre-assembled containers with foldable solar panels can start generating power in hours. Perfect for remote areas, construction sites, events, or emergencies. With 100-500 kWh batteries, ...



Application scenarios of energy storage battery products



## Shipping Containers for Power Generation & Energy Storage

Looking to build off-grid power solutions with shipping containers? Boxhub is the leading provider of new and used shipping containers for solar panel installations and battery storage.

## Understanding Solar Container Pricing in 2025

What Drives Solar Container Costs? Solar container systems - those all-in-one power stations combining photovoltaic panels, batteries, and inverters in shipping containers - have become the ...



## How Much Does It Cost to Have a Solar Container System?

Wondering what a solar container system costs? Explore real-world price ranges, components, and examples to understand what impacts total cost--and if it's worth the investment.



---

## Solar Energy Storage Container Prices in 2025: Costs, Applications ...

Explore market trends, pricing, and applications for solar energy storage containers through 2025. Learn about key cost drivers, technological advancements, and practical uses in ...



---

## Solar Container Price And A Balance Between Configuration And Cost

Below is an exploration of solar container price ranges, showing how configuration choices capacity, battery size, folding mechanism, and smart controls drive costs.

---

## Off-grid cost: solar container vs. diesel generators in 2025

In 2025, mobile solar container systems will offer a lower off-grid cost, making them more affordable than ever. They are also more practical and efficient compared to diesel generators.



---

## Contact Us

---

For catalog requests, pricing, or partnerships, please visit:  
<https://www.kidsandparents.pl>

