

# Price table for installing photovoltaic panels



## Overview

---

Solar panel installation cost averages \$27,181 for a standard home, with most homeowners spending between \$18,351 and \$36,409. Prices vary based on system size, panel type, and installation complexity. 50 per watt installed, with larger systems. Solar panels can lower your electricity bill by 75% or more, but the upfront investment is significant. Most homeowners spend between \$12,600 and \$33,376 to install a complete residential solar system in 2026, with the national average at \$19,873 before incentives. Your actual cost depends on your. NLR analyzes the total costs associated with installing photovoltaic (PV) systems for residential rooftop, commercial rooftop, and utility-scale ground-mount systems. In 2025, you'll see average solar panel costs across the United States that reflect the unique characteristics of each region. Under current federal law, the Residential Solar Tax Credit (ITC) ended for customer-owned systems on Decem.

## Price table for installing photovoltaic panels

---



### How Much Does Solar Panel Installation Cost? [2026 Data]

Discover the average solar panel installation cost, key price factors, and expert tips to help you budget for your solar project.

---

### Solar Panel Prices in 2026: Average Cost by kWh, Incentives & ROI

How much does solar panel installation cost? See pricing by home size, nationwide averages, and factors that will affect your costs in 2026.



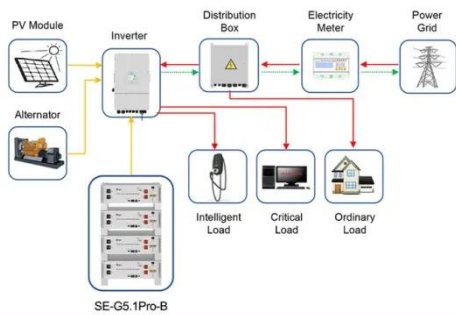
---

### How Much Do Solar Panels Cost? (2026)

Residential solar panel prices vary from state to state. Your estimated installation costs and potential savings depend on the local electricity rates, your household electricity usage, and the ...

## Solar Installed System Cost Analysis , Solar Market Research

NLR analyzes the total costs associated with installing photovoltaic (PV) systems for residential rooftop, commercial rooftop, and utility-scale ground-mount systems. This work has grown ...



Application scenarios of energy storage battery products

## Solar Panel Installation Costs in 2025: Complete Guide

Solar installations cost \$15,000-\$35,000 with payback periods of 5-12 years depending on location and incentives. Use our live calculator below to get your exact cost in seconds. This guide ...

## Solar Panel Cost Guide for 2025 by State

Explore solar panel costs in 2025 by state, including incentives and budgeting tips to make your solar investment smarter.



## Solar Panel Cost in 2026: Everything You Need to Know , Fixr

Find out how much solar panels cost in 2026, from average prices to a full cost

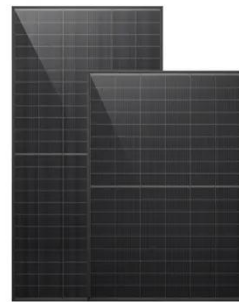
breakdown. Learn how to save money with the federal tax credit and local incentives.



---

## How Much Do Solar Panels Cost in 2026?

Solar installation costs vary significantly by location due to differences in labor rates, local incentives, permitting fees and electricity prices. The national average is around \$20,000.



## See how much it will cost to install solar panels for your home

Solar panel cost by state January, 2026  
Click on your state for solar panels cost localized to your city or use the solar calculator above to see the live prices from solar providers near you.

---

## Solar Panel Cost 2025 Guide: Price Per Watt, Incentives & ROI

With the average residential solar system costing between \$20,000 and \$30,000 before incentives, and the federal 30% tax credit scheduled to step down after 2025, now is an optimal time

...



---

## Contact Us

For catalog requests, pricing, or partnerships, please visit:  
<https://www.kidsandparents.pl>

