

Procurement of ultra-large capacity solar energy storage cabinet for bridges



Overview

Prepared for the California Public Utilities Commission under commission by the California Public Utilities Commission. All errors and omissions are the responsibility of the author. This document provides procurement information for projects that include an energy storage component. With projects like State Grid Gansu's 291kWh solid-state battery cabinet procurement (¥645,000 budget) [1] and Southern Power Grid's 25MWh liquid-cooled cabinet framework tender [10], bidding opportunities are. Energy storage procurement contracts must also take into account the ever-evolving suite of laws and regulations applicable to energy storage projects, including as a result of the recent change in administration in the United States.

Procurement of ultra-large capacity solar energy storage cabinet fo



Energy Storage RFP, bids and Government Contracts

Bid on readily available Energy Storage contracts with the best and most comprehensive government procurement platform, since 2002. Bidding for Energy Storage RFPs is extremely ...

Government Procurement of Ultra-Large Capacity Energy ...

"To meet the expectation of a BESS system that has high energy density, small footprint, simpler AC-side configuration, and flexible deployment, we bring the latest CATL TENER energy storage solution.



Energy Storage Procurement Study

Chapter 1 (Market Evolution) provides historical policy and planning context to the evolution of California's market for stationary energy storage from about 2010 when California Assembly Bill 2514 ...



A 2024 Update on Utility-Scale Energy Storage Procurements

With the increasing penetration of renewable energy resources, the demand for energy storage resources that can provide capacity--the ability to provide dispatchable energy--has ...

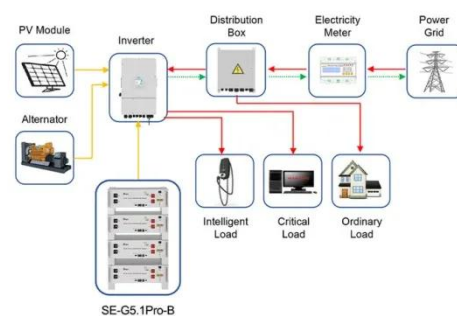


Key Considerations for Utility-Scale Energy Storage Procurements

As a result, energy storage negotiations will involve the consideration of new terminology (charging capacity, charging duration, storage capacity) and new issues (how quickly can the unit ...

Energy Storage Cabinet Bidding Information: How to Navigate the ...

With projects like State Grid Gansu's 291kWh solid-state battery cabinet procurement (¥645,000 budget) [1] and Southern Power Grid's 25MWh liquid-cooled cabinet framework tender ...



Application scenarios of energy storage battery products

Energy Storage Procurement Study



California's journey with energy storage development included substantial investment in the innovation process. This necessitates learning from pilots, demonstration projects, and early ...

Energy Storage

The following provides information on California energy storage legislation, the CPUC energy storage program and projects evaluation, CPUC energy storage proceedings, current energy ...



DOE ESHB Chapter 20 Energy Storage Procurement

This chapter supports procurement of energy storage systems (ESS) and services, primarily through the development of procurement documents such as Requests for Proposal (RFPs), Power Purchase ...

A 2024 Update on Utility-Scale Energy Storage ...

With the increasing penetration of renewable energy resources, ...



Stora Reducing risk in battery procurement for large energy

...

the procurement system for energy storage projects. That rapid expansion holds risk. Batteries are complex electrochemical devices, and both the procurement and integration of batteries for large ...

Contact Us

For catalog requests, pricing, or partnerships, please visit:
<https://www.kidsandparents.pl>

