

Residents set up mobile energy storage station inverter



Overview

Let's break it into the key components and design steps so you know what to consider. Battery Management System (BMS) 3. Battery Management System (BMS). A residential energy storage system (RESS) is a setup that stores electricity generated from renewable sources (typically solar) or drawn from the grid during off-peak hours. Demand Load Control: A device that automatically turns off specific circuits in a grid outage and allows the user to selectively control items that are powered or disconnected. These devices can reduce.

Residents set up mobile energy storage station inverter



Off-Grid Living with Inverters: How to Set Up a Reliable Power System

However, setting up a reliable power system is crucial to maintaining this lifestyle, and one of the key components of any off-grid setup is the inverter. In this blog, we'll guide you through ...

Mobile Energy Storage Systems

When looking at how a mobile energy storage system works, we break its use down into three phases: the charging and storage phase, the in-transit phase, and the deployed stage.



Energy Storage-Ready Concepts for Residential Design and ...

This document presents guidelines and suggestions for the future adaptation of conventional electrical services in single-family homes to include Battery Energy Storage Systems (BESS), often referred to ...

Mobile Energy Storage: Power on the Go

Mobile energy storage systems can be classified into various categories, connecting energy generation with consumption. They store surplus energy during peak production periods and ...

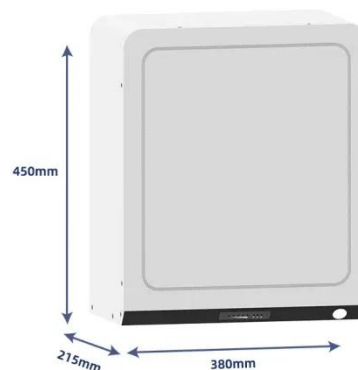


How to Install a Home Energy Storage System

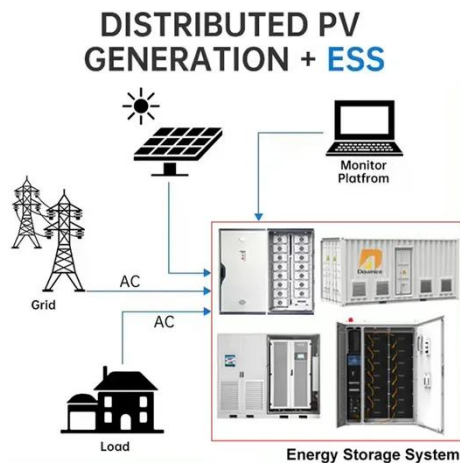
Explore the different types of home energy storage solutions, including lithium-ion and lead-acid batteries, key components like inverters and BMS, installation essentials, and safety ...

5-In-One Energy Storage System & Home ESS Solutions , Sigenergy

Integrating Solar Inverter, EV DC Charger, Battery PCS, Battery Pack, and EMS into one powerful energy system - this is our revolutionary 5-in-One Home ESS. Simplified to give you a smart and ...



How to Build a Mobile Floor-standing Energy Storage System



Awesome--building your own mobile floor-standing energy storage system is a great project! Let's break it into the key components and design steps so you know what to consider.

Vertical Residential All-in-One Energy Storage System

Discover the ultimate All-in-One energy storage solution with our modular system. This versatile system integrates an inverter, charge controller, UPS-level switching, and battery modules, providing ...

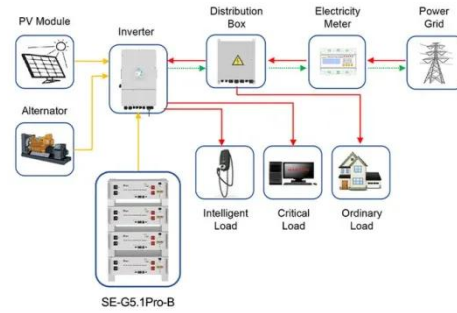


Mobile Energy Storage Charging Station

Engineered for durability and ease of use, our mobile power station combines robust performance with eco-friendly energy delivery. Whether in remote locations or demanding environments, it offers a ...

Residential Energy Storage System Installation: A Complete Guide

As the demand for renewable energy and self-sufficient power systems rises, residential energy storage system installation has become a key solution for homeowners seeking reliability, ...



Application scenarios of energy storage battery products

Contact Us

For catalog requests, pricing, or partnerships, please visit:
<https://www.kidsandparents.pl>

