

# Rwanda BIPV solar roof integrated panel brand



## Overview

---

As a leading manufacturer of Building Integrated Photovoltaics (BIPV), it specializes in extending clean energy generation to your curtain walls, siding, roofs, CIGS flexible PV module, plane PV tile, and even metal PV tile. This comprehensive guide explores the top 10 global companies—such as First Solar, Onyx Solar, and HIITIO—that are shaping the future of solar-integrated architecture through advanced technology, design innovation, and sustainable construction solutions. eco° SOLAR is proud to contribute to efforts that broaden access to clean, dependable energy nationwide. We. The Zero House, Toronto, offers an exciting new solution to tackle both carbon emissions from buildings and the lack of affordable housing. Especially they are used in roofs, skylights, or facades, to provide solar power for the building. At Onyx Solar, we specialize in developing customizable photovoltaic solutions that cater to. BIPV solar solutions seamlessly integrate photovoltaic panels into building structures, transforming roofs into efficient energy generators. Our advanced systems eliminate drilling damage while ensuring robust wind and snow resistance. With certifications like UL, TUV, and CE, they offer over.

## Rwanda BIPV solar roof integrated panel brand

---



### Photovoltaic BIPV Solutions , Onyx Solar

At Onyx Solar, our photovoltaic solutions are specifically designed for BIPV projects. We offer fully customizable products, including glass façades, skylights, walkable floors, and more.

---

### Top 10 BIPV Manufacturers in 2026

The company specializes in providing building facades, roofs, and panels integrated with solar technology. These systems boast frameless modules, concealed mounting, and uniform ...



### Rwanda BIPV photovoltaic roof integrated panel brand

Here, we have carefully selected a range of videos and relevant information about Rwanda BIPV photovoltaic roof integrated panel brand, tailored to meet your interests and needs.

---

### Top 10 Building Integrated

## Photovoltaics Manufacturers in the World

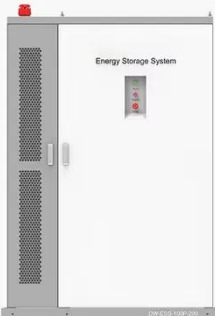
First Solar Hanwha  
 Solar Kyocera Panasonic Solar Rec  
 Group Sharp Solar Frontier K  
 Statkraft Sunpower Yingli  
 Solar Headquartered in Baoding, Hebei Province in China, the company has many bases in Tianjin, Hengshui, Baoding, and other cities. With 20 years of experience in the industry, Yingli Solar Co. Ltd. is a smart energy solution provider, integrated with PV technology, intelligent manufacturing, and the development of power plants. The company entered the See more on energy theory Onyx Solar







## Photovoltaic BIPV Solutions , Onyx Solar

At Onyx Solar, our photovoltaic solutions are specifically designed for BIPV projects. We offer fully customizable products, including glass façades, ...

**◆ PRODUCT INFORMATION ◆**



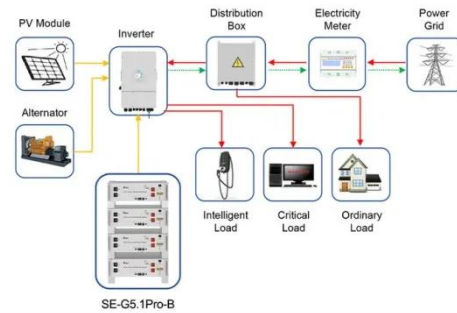
-  **BATTERY CAPACITY**  
50kWh~500kWh
-  **DC VOLTAGE RANGE**  
400V~1000V
-  **DEGREE OF PROTECTION**  
IP54
-  **OPERATING TEMPERATURE RANGE**  
-10~50°C

## Rwanda BIPV solar roof integrated panel brand , EQACC SOLAR

Renowned for its expertise in manufacturing solar modules, it specializes in delivering innovative solutions, including aesthetic solar roofs, Building Integrated Photovoltaics (BIPV), and Integrated PV ...

## Top 10 Building Integrated Photovoltaics Manufacturers in the World

Photovoltaic materials and components used in place of traditional building materials are termed as Building integrated photovoltaic (BIPV). Especially they are used in roofs, skylights, or ...



Application scenarios of energy storage battery products



## Solar Panels - Kinigi Energy Ltd

Whether you're looking for 100W, 200W, 300W, or larger capacities such as 465W, 540W, or 615W panels, we provide top-quality products at competitive prices. With both online and offline shopping ...

## Seamless BIPV Solar Panels , Integrated Roof Solutions

BIPV solar solutions seamlessly integrate photovoltaic panels into building structures, transforming roofs into efficient energy generators. Our advanced systems eliminate drilling damage while ensuring ...



## eco° SOLAR Rwanda , Smart Solar Technologies



We concentrate on implementing advanced, high-impact technologies including commercial BESS, solar-driven air conditioning, integrated 3-in-1 solar packs, BIPV building material solutions and ...

---

## Rwanda Building Integrated Photovoltaics (BIPV) Market (2024-2030)

Rwanda Building Integrated Photovoltaics (BIPV) Market is expected to grow during 2024-2030



---

## Contact Us

For catalog requests, pricing, or partnerships, please visit:  
<https://www.kidsandparents.pl>

