

Single-phase outdoor energy storage cabinet for construction sites in Oceania



Single-phase outdoor energy storage cabinet for construction sites

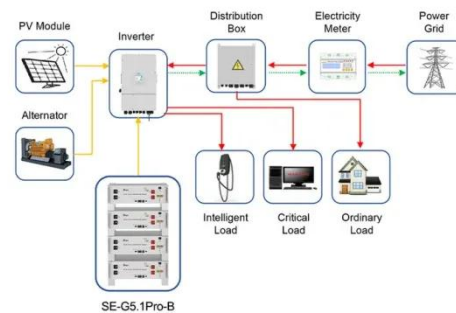


Outdoor Energy Storage Cabinet

An outdoor energy storage cabinet is a specialized enclosure designed to house energy storage systems (ESS) or batteries that store electrical energy generated from renewable sources or during periods of low electricity ...

Outdoor Energy Storage System Cabinets , EPC Energy

From outdoor energy storage system cabinets to integrated cloud-based controls, EPC Energy has you covered. We want to help you create a sustainable future.



Application scenarios of energy storage battery products



Outdoor Energy Storage Solutions for the Marshall Islands: Powering

From remote health clinics to fishing cooperatives, outdoor energy storage cabinets are powering sustainable development across the Marshall Islands. By combining solar optimization with military-grade durability, ...

100 kWh-500kWh Outdoor All-in-one Energy Storage Cabinet

This integrated solar battery storage cabinet is engineered for robust performance, with system configurations readily scalable to meet demands such as a 100kwh battery storage requirement.

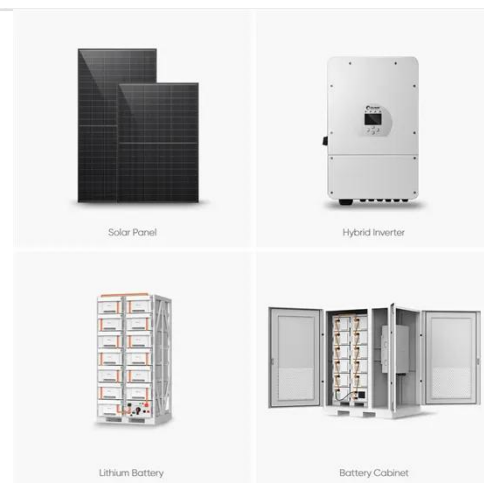


Outdoor Energy Storage Cabinet 215kWh

KonkaEnergy Outdoor Separate Battery Cabinet Series (215kWh) The KonkaEnergy Outdoor Separate Battery Cabinet Series, a safe, reliable, and highly scalable solution designed for modular energy storage projects.

Outdoor cabinets as energy storage enclosure

Our outdoor cabinets with lock/hinged doors are suitable for housing multiple battery racks. The interior is air-conditioned by a cooling unit that is mounted on the side wall or door leaf.



Outdoor Energy Storage Cabinet System Manufacturer & Supplier



Wenergy provides fully integrated, outdoor-rated ESS cabinets using LiFePO4 technology with modular design and robust safety architecture. Our solutions are engineered for long-term operation, scalable expansion, and ...

Commercial and Industrial Energy Storage Cabinet BESS , Anern

Wide Applicability: Compatible with standalone energy storage stations, commercial/industrial user-side systems, microgrids, and renewable energy integration. Smart Connectivity: Supports remote monitoring and ...

Outdoor Cabinet BESS
50 kWh/500 kWh Battery Storage System
Industrial and Commercial Energy Storage



-  **All In One**
Integrating battery packs
-  **Intelligent Integration**
Integrated photovoltaic storage cabinet
-  **High-capacity**
50-500kWh
-  **Rated AC Power**
50-100kW
-  **Degree of Protection**
IP54
-  **Altitude**
3000m(>3000m derating)
-  **Operating Temperature Range**
-20-60°C(Derating above 50 °C)



One Site One Cabinet Power Cabinet Solution

Huawei's One Site One Cabinet power cabinet solution uses a compact, high-density design to simplify site management, reduce energy use, and support sustainable operations.

All-in-One Energy Storage Cabinet & BESS Cabinets , Modular, Scalable

Featuring lithium-ion batteries, integrated thermal management, and smart BMS technology, these cabinets are perfect for grid-tied, off-grid, and microgrid applications. Explore reliable, and IEC-compliant energy storage ...



Contact Us

For catalog requests, pricing, or partnerships, please visit:
<https://www.kidsandparents.pl>

