

Small enterprise Ite solar telecom integrated cabinet inverter grid connection



Overview

Seamlessly integrates solar, wind, generator and grid power supply for dealing with any place's variable energy requirements. Built-in AC and DC outputs (220 VAC, 48 VDC, -12 VDC) enable easy connection to telecom and electronic loads. A Grid-connected Photovoltaic Inverter and Battery System for Telecom Cabinets effectively addresses this need. These systems convert sunlight into electricity, promoting energy savings and operational efficiency. Advanced management with temperature-controlled cooling and. Battery storage modular from 5 - 25 Kwh in 5 kWh steps. Each 5-kWh step require 3U height in cabinet. All based on LiFePO4 100Ah 19-Inch rack mounted modules. 4-8 kW 3-in-1 Inverter, rectifier & solar charger, flexible. This Outdoor Telecom and Solar Electrical Enclosure is designed to house and protect communication equipment, solar controllers, inverters, batteries, and electrical distribution systems in one integrated structure. Engineered with durable galvanized or stainless steel and rated IP55/IP65, the. Designed for extreme conditions, this energy storage system provides backup power for telecom sites at high-altitude remote sites, enduring -10°C temperatures. Off-Grid Solar Powered Site, UAE.

Small enterprise Ite solar telecom integrated cabinet inverter grid c

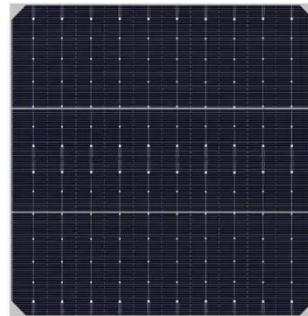


Telecom Towers Hybrid & Solar Backup Solutions Case Studies

Spearheaded a groundbreaking project in collaboration with AT&T, focusing on enhancing the efficiency and sustainability of off-grid sites in California, USA. The project involved the development of a ...

For Telecom Applications

This cabinet can economically house a variety of next generation electronic equipment including telco backhaul, fiber distribution, and radio equipment for wireless applications.

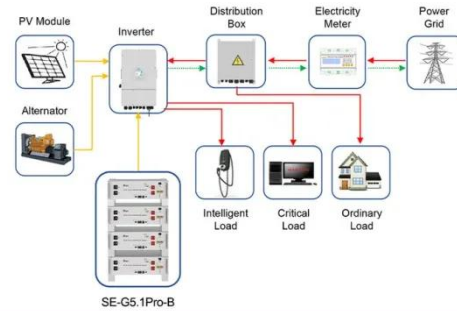


How to Integrate ESTEL Solar Power Systems into Telecom Networks

By integrating high-quality inverters into your solar system, you can enhance the efficiency and reliability of your telecom network. This integration ensures that your network remains ...

Integrated Outdoor Telecom & Solar Cabinet with Cooling

This Outdoor Telecom and Solar Electrical Enclosure is designed to house and protect communication equipment, solar controllers, inverters, batteries, and electrical distribution systems in one integrated ...



Application scenarios of energy storage battery products



ALL-IN-ONE Off Grid Hybrid Solar Inverter Lithium ESS Battery ...

The cabinet is designed specifically to protect it from human damage, water, dust and other damages. The cabinet allows natural wind cooling through filtered vents on front door and under lip of rain hood

Telecom Hybrid Solution

Hunterhex multi function modular inverter/charger can be used as inverter, AC charger or solar charger in 19 inch shelf. Its comprehensive LCD display offers a configurable and easy accessible button ...



Hybrid Inverter Cabinet , Solar & Energy Storage Integration

High-performance hybrid inverter



cabinet integrating solar, battery storage, and grid connection. Ideal for commercial, industrial, and off-grid applications. Reliable, efficient, and smart energy management.

Outdoor Photovoltaic Telecom Energy Cabinet

Seamlessly integrates solar, wind, generator and grid power supply for dealing with any place's variable energy requirements. Built-in AC and DC outputs (220 VAC, 48 VDC, -12 VDC) enable easy

...



Grid-connected Photovoltaic Inverter and Battery System for Telecom

Discover how a grid-connected photovoltaic inverter and battery system enhances telecom cabinet efficiency, reduces costs, and supports eco-friendly operations.

Solar Energy Lithium Battery and Inverter Storage Cabinet Solution

The ESS solution is a highly integrated, all-in-one, C& I Hybrid energy storage cabinet with multiple application scenarios. It has outstanding advantages such as intelligent charge and discharge ...



Contact Us

For catalog requests, pricing, or partnerships, please visit:
<https://www.kidsandparents.pl>

