

Smarter grid solution



Smarter grid solution



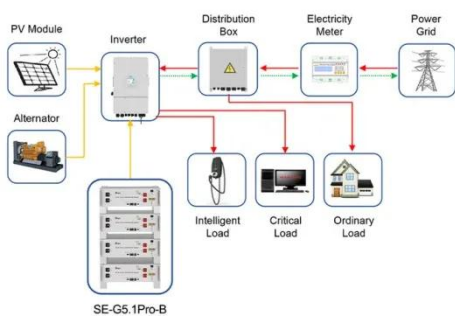
SGS Suite of Products

Software for real time monitoring and control of DER at the grid edge to manage grid integration through Utility DERMS (Strata Grid) or Microgrid (Strata Resilience) products.

Smarter Grid Solutions

Smarter Grid Solutions is an enterprise energy software company with a unique end to end approach to Distributed Energy Resource Management Systems

...



Application scenarios of energy storage battery products

What Is A Smart Grid? Complete Guide To Intelligent

...

A smart grid is an advanced electricity distribution network that uses digital technologies, sensors, and two-way communication systems to efficiently ...

Smarter Grid Solutions ,

Consulting & Software (DERMS) Grid Services

Smarter Grid Solutions , Providing industry leading der management solutions for utilities, asset owners and operators for 17+ years.

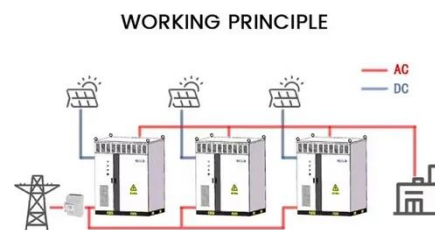


10 Top Smart Grid Solutions to Watch (2025) , StartUs ...

This article examines 10 new smart grid solutions transforming energy management and distribution. These enterprises leverage advanced ...

Smarter Grid Solutions Consulting Services for Grid Modernization

Smarter Grid Solutions grid consultant services for utilities and DER owners and operators to support their clean energy transition.



Smart grid solutions

Discover our intelligent and sustainable solution to extreme weather, DER surges, interconnection delays, rising demand, and cybersecurity threats. Our

platform helps you efficiently build, operate, ...



Solutions , Smarter Grid Solutions

Our DERMS software enables our customers to connect more renewables, avoid grid upgrades, de-risk onboarding of DER at scale, stack revenues, enable new business models, optimize local sites and ...



A Mitsubishi Electric company , Smarter Grid Solutions

Together, MEPPi and Smarter Grid Solutions will provide combined distributed energy resources management software and grid control products to enable electric utilities to respond to energy ...

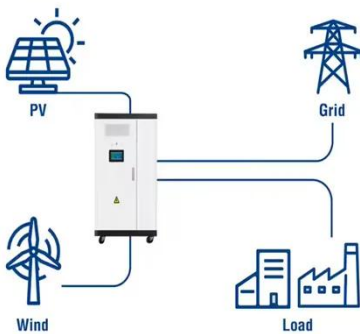
Smart Grid Solutions , Honeywell

Talk to Honeywell to discover how our

end-to-end solutions and services can put the power of data in your hands and help you take the next step towards a ...



Utility-Scale ESS solutions



About Smarter Grid Solutions

Our customers use our DER management system (DERMS) products to integrate DER to markets and grids to deliver grid capacity management, flexible interconnection, virtual power plant, microgrids, ...

Top 10: Smart Grid Solutions , Energy Magazine

Smart grid solutions are at the heart of this transformation, offering advanced tools to manage complexity, improve efficiency and unlock new ...



Faulted Circuit Indicators for Electrical Systems , Smart ...

Smart Grid Solutions manufactures reliable fault indicators that improve system reliability by reducing outage

time on electrical distribution systems of all sizes ...



What Is a Smart Grid? A Technology Overview - Intel

The smart grid--an interconnected network of technologies with digital control, analysis, monitoring, and telecommunications capabilities--offers a path to a more intelligent and responsive energy system to ...



Smarter Grid Solutions Acquired by Mitsubishi Electric

Smarter Grid Solutions completed the sale of the company to Mitsubishi Electric Corporation (MELCO) and Mitsubishi Electric Power Products Incorporated (MEPPI) in August 2021.

About Smarter Grid Solutions

Our diverse team of multi-disciplinary experts use our technology and expertise in electrical, power systems,

and software engineering to create some of the most ...



Contact Us

For catalog requests, pricing, or partnerships, please visit:
<https://www.kidsandparents.pl>

