

Solar battery cabinet effectiveness in karachi pakistan



Solar battery cabinet effectiveness in karachi pakistan



Solar Battery Storage Systems , Complete Guide , AmpereX

These systems capture solar energy during the day and store it for use during evenings, cloudy days, or power outages. In Pakistan, where load shedding is common, solar battery storage offers an excellent solution for ...

Solar Battery Storage in Pakistan: Options, Benefits & Cost Savings

As demand for clean energy continues to grow, solar battery storage is becoming a key component of Pakistan's renewable energy transition. The costs of advanced batteries are steadily dropping, ...



Battery storage and the future of Pakistan's electricity grid



Battery storage adoption is accelerating in Pakistan's residential, commercial, and industrial sectors, driven by high electricity costs and declining solar component prices.

Pakistan Solar Storage Solution - Stable Power for Homes & Businesses

GSL Energy is committed to delivering reliable, cost-effective, and sustainable solar energy storage solutions for Pakistan's homes, businesses, and industries.

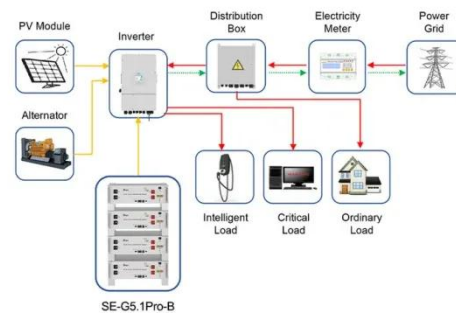


Pakistan Household Energy Storage: Powering Homes in the New ...

With Pakistan's energy demand growing faster than a Karachi street vendor's chai sales during Ramadan*, households are adopting energy storage like never before.

Solar Battery & Inverter Solutions

Explore quality solar battery & inverter solutions in Karachi. Get expert advice, seamless installation, and flexible financing for your energy needs!



Application scenarios of energy storage battery products

Solar Energy Storage Solutions: Batteries, Inverters, and Beyond

In this blog, we're going to explore how solar storage, especially solar batteries and inverters, are changing the game in Pakistan. I'll break it down in plain language, no jargon, no fluff--just the facts, with a ...



The Perfect Storm Fueling Pakistan's Solar Boom

While solar plus batteries cannot yet ensure full energy independence, it has significantly reduced the strain on the electricity grid, with industrial demand falling from 31,008 GW per hour (GWh) in fiscal year ...



✓ LIQUID/AIR COOLING

✓ INTELLIGENT INTEGRATION

✓ PROTECTION IP54/IP55

✓ BATTERY /6000 CYCLES



Understanding Solar Battery Backup Systems in Pakistan

Explore the benefits of solar battery backup systems in Pakistan. Learn how hybrid and off-grid configurations ensure uninterrupted energy supply with RS Energy's expert solutions.

Solar Batteries Supplier in Karachi Pakistan

Heaven Solar Energy offers an extensive selection of solar batteries suitable for

commercial, residential, and utility installations.



Contact Us

For catalog requests, pricing, or partnerships, please visit:
<https://www.kidsandparents.pl>

