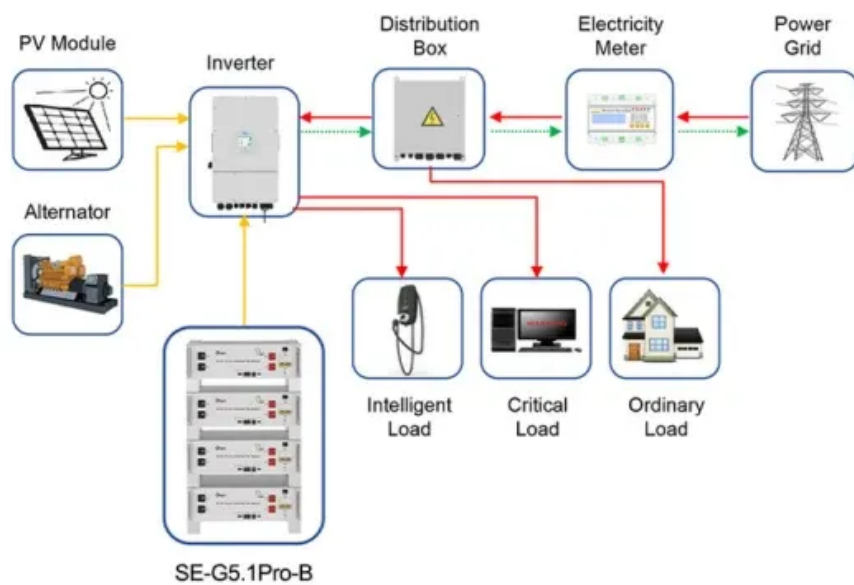


Solar energy for the environment sri lanka



Application scenarios of energy storage battery products



Overview

The Solar Resource Atlas of Sri Lanka is an important addition to the existing knowledge on solar resources of Sri Lanka. The first solar atlas of Sri Lanka was prepared by the National Renewable Energy Lab.

Solar energy for the environment sri lanka



OVERVIEW OF SOLAR ELECTRICITY IN SRI LANKA AND

...

In addition to a detailed overview of solar energy in Sri Lanka, this review paper is based on the proposals for solar energy promotions, implementation, and challenges of promoting solar as ...

How Solar Energy in Sri Lanka Helps Achieve Renewable Energy ...

Discover how solar energy in Sri Lanka is driving the nation toward its renewable energy targets. Learn how Deep Tec's solar solutions empower homes, farms, and industries to achieve ...



OVERVIEW OF SOLAR ELECTRICITY IN SRI LANKA AND

...

Promotional and encouraging government policies about solar energy, technological improvements in less setup and maintenance cost, growing public awareness of environmental ...

The Rise of Solar Energy in Sri Lanka.

With abundant sun and rising costs, Sri Lanka is turning to solar energy--Sowindro Holdings leads the way for the best Solar Installations.



- 50KW/100KWH
- HIGHER POWER OUTPUT IN OFF-GRID MODE
- CONVENIENT OPERATION & MAINTENANCE
- PRE-WIRED

Solar Power Adoption in Sri Lanka - Costs, Benefits & Global ...

Solar energy is fast becoming a transformative force in Sri Lanka's energy landscape. For households, businesses, and even international investors, solar offers both strategic and financial ...

Solar Energy , Sri Lanka Sustainable Energy Authority

The Solar Resource Atlas The Solar Resource Atlas of Sri Lanka is an important addition to the existing knowledge on solar resources of Sri Lanka. The first solar atlas of Sri Lanka was ...



Sri Lanka solar power: Remarkable growth essential

by 2025

The expansion of solar power in Sri Lanka is expected to have a significant impact on the country's economy and environment. By reducing reliance on imported fossil fuels, Sri Lanka can ...



Sri Lanka's Solar Energy Sector: Growth, Challenges & Future

A: Sri Lanka's solar energy sector has seen notable expansion in recent years with installed capacity currently exceeding 1,700 megawatt peak. This includes rooftop and ground ...



Solar Energy in Sri Lanka: Potential, Current State, Advantages

Regional grid interconnection also helps balance variable supply. Sri Lanka has abundant solar resources to meet a major share of its electricity from a clean, sustainable domestic ...

Environment and Renewable Energy

As part of its NDC plan, Sri Lanka aims to develop an additional capacity of 3,867MW of renewable energy by 2030. Given its abundant renewable energy sources such as solar, wind, hydro, and ...



Contact Us

For catalog requests, pricing, or partnerships, please visit:
<https://www.kidsandparents.pl>

