

# Solar energy storage cabinet system limits



## Overview

---

The residential chapter of NFPA 855 addresses the installation of residential ESS units between 1kwh and 20 kwh. After individual units exceed 20kWh it will be treated the same as a commercial installation and must comply with the requirements of the rest of the standard. Find out about options for residential energy storage system siting, size limits, fire detection options, and vehicle impact protections. There are also limitations. grow, so can the battery system. Th systems, ensuring optimal safety. If more storage is needed, an.

## Solar energy storage cabinet system limits

---

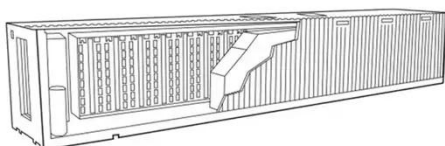


### ESS (energy storage system) sizing in residential garage , DIY Solar

The maximum energy rating per ESS unit is 20 kWh. The maximum kWh capacity per location is also specified--80 kWh when located in garages, accessory structures, and outdoors and ...

### Energy Storage Systems: 2023 NFPA Code

Depending on the energy capacity of your batteries and the location you're storing them in, you can determine the number of batteries you can get. The NFPA limits the amount of energy that can be ...



### Maximum Solar Energy Storage: Powering the Future Without Limits

But here's the kicker - most solar systems without storage waste up to 40% of their generated power. It's like buying a sports car and only driving it in first gear.

## Residential Energy Storage System Regulations

After individual units exceed 20kWh it will be treated the same as a commercial installation and must comply with the requirements of the rest of the standard. There are also limitations on how ...

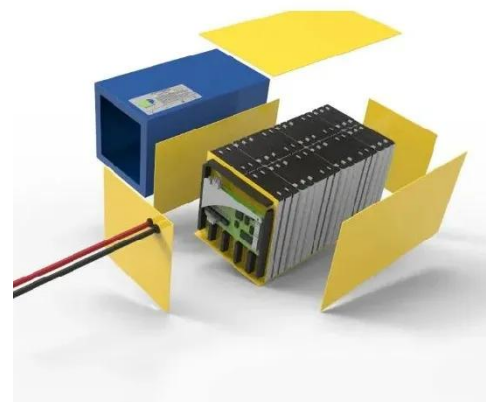


## New Residential Energy Storage Code Requirements

Find out about options for residential energy storage system siting, size limits, fire detection options, and vehicle impact protections.

## Energy storage cabinet door limit

The emergence of energy storage systems (ESSs), due to production from alternative energies such as wind and solar installations, has driven the need for installation requirements within the National ...



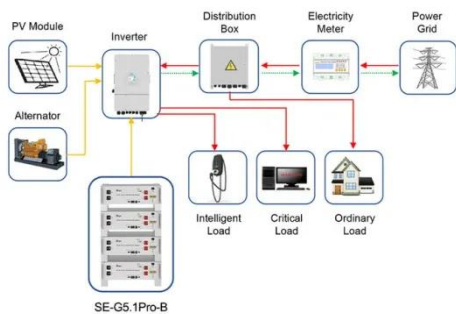
## New Regulations for Energy Storage Cabinets: What You Need to ...

But when it comes to energy storage cabinets, the new 2025 safety standards are shaking up the \$33 billion energy storage industry faster than a barista during rush hour [1].



## Homeowner Guide

If more storage is needed, an additional battery cabinet can be added to the same inverter, for up to 36 kWh of storage capacity. 2 battery cabinets = up to 36 kWh of storage capacity



Application scenarios of energy storage battery products

## SOLAR AND ENERGY STORAGE SYSTEM

Energy storage systems installed with simple solar systems meeting SolSmart criteria that are less than 15kW consisting of no more than 2 series strings per inverter and no more than 4 source circuits in ...

## Contact Us

For catalog requests, pricing, or partnerships, please visit:  
<https://www.kidsandparents.pl>

