

Solar inverter fault elimination



Overview

Comprehensive troubleshooting guide for the most common solar inverter faults. Learn how to diagnose and fix grid overvoltage, overheating, ground faults, and more from certified solar technicians. We'll also touch on when it's time to repair or replace your inverter, and answer frequently asked questions that concern many solar. In many cases, learning how to reset inverter fault codes using the manufacturer's steps can resolve the issue. Knowing how to reset a solar inverter safely can help you avoid unnecessary service calls and quickly restore system performance. When DIY fixes don't cut it, GreenLancer is here to help. These failures may stem from environmental factors (extreme temperature, humidity, dust), electrical stress (voltage fluctuations, lightning), manufacturing defects, or natural component aging. However, some problems require professional expertise to fix safely and effectively. Inverters are crucial components in photovoltaic systems, converting solar-generated direct current (DC) into alternating current (AC) for household or.

Solar inverter fault elimination



Solar Inverter Repairs: DIY vs Professional Guide 2026

Many solar inverter issues respond well to basic troubleshooting that homeowners can safely perform, potentially saving both time and money on service calls. System restart procedures ...

SOLAR , Division of Information Technology

Students use SOLAR to register for classes, print schedules, view and pay bills, update personal contact information, view transcripts, and submit student employment timesheets.



Solar Inverter Faults and Repair , Causes, Signs & Solutions

Discover the causes, symptoms, and expert repair methods for solar inverter faults. Step-by-step solutions for IGBT, capacitor, SPD, driver, and power supply failures.

2026 Guide to Balcony & Plug-In Solar

Can you really plug a solar panel into a wall outlet? Discover how balcony solar works, state-by-state laws, and how much you can save.



Common Inverter Faults and Solutions

Learn how to identify and resolve common inverter faults in photovoltaic systems, ensuring optimal performance and extended equipment lifespan. Inverters are crucial components in ...

Solar Inverter Problems & Solutions: Troubleshooting Guide

Learn about solar inverter problems and solutions, how to repair solar inverters, and to reset inverter faults for optimal system output.



Solar Inverter Failures: Causes, Consequences, and Impact on

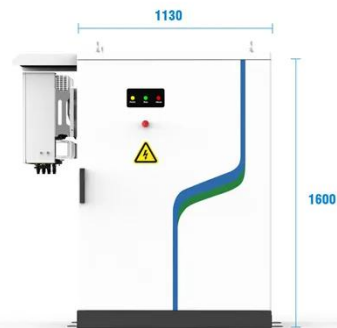
By understanding these common solar inverter failures and their causes,

impacts, and costs, asset managers can implement more effective maintenance strategies and choose inverters ...



Preventing Inverter Failures in Solar Systems: Causes, Prevention, ...

Learn the common causes of solar inverter failures, how to prevent them, and what steps to take if your inverter fails. Ensure the reliability of your solar system with expert tips from Sunollo.



PV / DG Application



APP Intelligent Control



Multi-Unit Parallel Expansion



98.8% Max. Efficiency



Professional Solar Company in Cheyenne, WY , Apollo Energy

Apollo Energy provides seamless solar installations, maintenance, and energy solutions to help homes and businesses in Cheyenne, WY, maximize efficiency and savings with clean energy.

Top 10 Solar Inverter Problems & Solutions (2026) , Expert Guide

Comprehensive troubleshooting guide for the most common solar inverter faults. Learn how to diagnose and fix grid overvoltage, overheating, ground faults, and more from certified solar ...

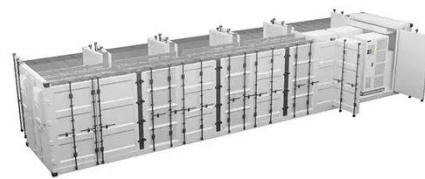


Solar Energy - SEIA

Solar power is energy from the sun that is converted into thermal or electrical energy. Solar energy is the cleanest and most abundant renewable energy source available, and the U.S. has some of the ...

Solar Energy

There are two main types of solar energy technologies--photovoltaics (PV) and concentrating solar-thermal power (CSP). On this page you'll find resources to learn what solar ...



Solar power , Definition, Electricity, Renewable Energy, Pros and ...

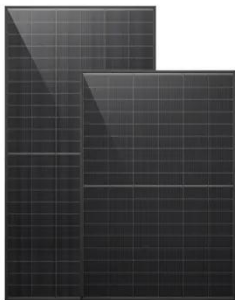
Virtually nonpolluting and abundantly available, solar power stands in stark

contrast to the combustion of fossil fuel and has become increasingly attractive to individuals, businesses, and ...



To lower electric bills, consumers quietly install DIY solar

Plug-in solar has remained in the shadows because of a lack of safety standards and often costly requirements imposed by utilities, but that's changing.



Improving Solar System Reliability: Top 7 Inverter Troubleshooting Tips

Learn 7 key troubleshooting tips to fix common solar inverter issues and improve the performance and reliability of your solar power system.

Common Solar Inverter Problems and How to Fix Them

Solar inverter problems can cause performance dips, system outages, and

even long-term damage to your setup if left unaddressed. In this article, we'll break down the most common ...



Is Solar Worth It in 2026 After the 30% Tax Credit Ends?

Discover why rising electricity prices make solar a great investment in 2026, even after the 30% federal tax credit expires. We break down the long-term savings.

9 Best Solar Companies in Cheyenne, WY

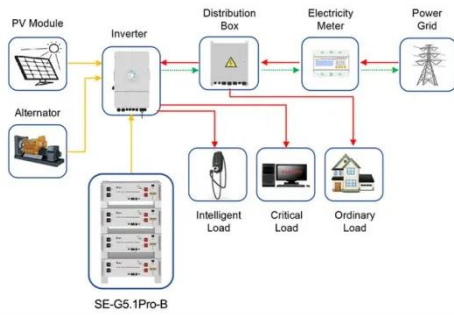
Going solar can be a great way to lower electricity costs and help the environment by reducing your carbon footprint using renewable energy. Here are some key factors to consider when ...



Troubleshooting 32 Problems and Solutions of Solar Inverter

Restart the Inverter: Switch off the inverter, wait for a few seconds, and then try restarting it. This might fix the

temporary communication issues.
Contact Manufacturer: If this solar inverter ...



Application scenarios of energy storage battery products

Contact Us

For catalog requests, pricing, or partnerships, please visit:
<https://www.kidsandparents.pl>

