

Solar power generation 1kW profit



Overview

A 1kW solar system generating 5 kWh/day can cover approximately 17% of this consumption, leading to significant savings and reduced dependency on the grid. Comparison: Several tools and software are available to estimate solar energy generation accurately. In this blog, we will look into how much electricity does a 1kW solar panel produce. A 1kW solar panel system consists of. Here is the formula of how we compute solar panel output: $\text{Solar Output} = \text{Wattage} \times \text{Peak Sun Hours} \times 0.75$ Based on this solar panel output equation, we will explain how you can calculate how many kWh per day your solar panel will generate. This entry-level solar setup delivers an 8- to 15-year payback period and powers essential household devices, including. If you're currently paying around ₹8 per unit for electricity, here's what you could save with a 1kW solar system: That's a pretty sunny outlook for your wallet, isn't it?

☐☐ What Can You Power?

A 1kW solar system can handle most of your everyday household appliances. The actual output depends on several factors, including the geographical location, weather conditions, and the angle and orientation of the solar panel. A 1kW solar panel can generate up to 1 kilowatt (1000 watts) of power when the sunlight is strong.

Solar power generation 1kW profit

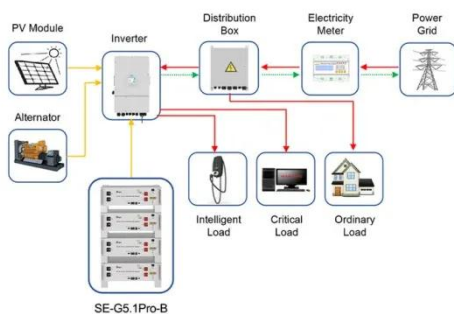


1kW Solar Panel System: Daily Output, Cost Breakdown, And Best Uses

A 1kW solar panel system produces 4-5 kWh daily and costs \$1,800-\$5,800. Learn about output, battery needs, ROI, permits, and what appliances it can power.

How Much Electricity Does a 1kW Solar Panel Generate?

With rising electricity bills, many homeowners are turning to solar energy as a cost-effective and eco-friendly alternative. Let's dive into the details and uncover just how much power you can expect from a ...



Application scenarios of energy storage battery products

Solar Panel kWh Calculator: kWh Production Per Day, Month, Year

Based on this solar panel output equation, we will explain how you can calculate how many kWh per day your solar panel will generate. We will also calculate how many kWh per year do solar panels generate and how ...

How Much Electricity Does A 1Kw Solar Panel Produce?

Estimating the electricity generation from a 1kW solar panel system is essential for understanding its potential benefits, savings, and contribution to your energy requirements. In this blog, we will look into ...



1kW Solar Panel How many Units Per Day

Discover how many units a 1kW solar panel produces per day. Learn about power generation and potential energy savings.

How Many kWh Does A Solar Panel Produce Per Day? Calculator + Chart

For 1 kWh per day, you would need about a 300-watt solar panel. For 10kW per day, you would need about a 3kW solar system. If we know both the solar panel size and peak sun hours at our location, we can ...



Solar Farm Profit Calculator

Whether you are a solar farm owner,



investor, or planner, this calculator streamlines financial forecasting and supports better decision-making. By inputting your solar capacity, sunlight hours, electricity price, and ...

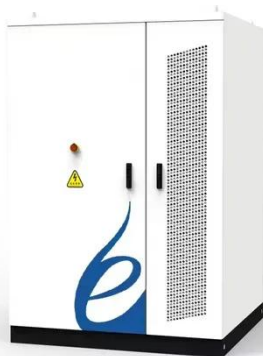
How Much Does It Cost to Produce 1 kW of Solar Energy?

Learn the breakdown of costs involved in producing 1 kilowatt of solar energy to understand the multifaceted nature of solar energy expenses.



How Much Energy Does a 1kW Solar Panel Produce?

Discover how much energy a 1kW solar panel produces daily, monthly, and annually. Learn about key factors affecting solar output and whether a 1kW solar system meets your power needs.



1kW Solar Panel Produces How Many Units Per Day? A Guide on Solar Power

Discover how many units of electricity a

1kW solar panel produces per day. This guide breaks down what you need to know about solar power production!



Contact Us

For catalog requests, pricing, or partnerships, please visit:
<https://www.kidsandparents.pl>

