

Solar power generation 44 panels



Overview

A 400-watt panel can generate roughly 1.5 kWh of energy per day, depending on local sunlight. household's 900 kWh/month consumption, you typically need 12–18 panels. Output depends on sun hours, roof direction, panel technology, shading, temperature. Solar panels are quietly transforming rooftops around the world, turning sunlight into electricity and helping homeowners slash utility bills. If you're thinking about going solar, one of your biggest questions is likely: how much electricity can a solar panel actually produce?

This in-depth guide. To calculate solar panel output per day (in kWh), we need to check only 3 factors: Solar panel's maximum power rating. That's the wattage; we have 100W, 200W, 300W solar panels, and so on. South. Estimates the energy production of grid-connected photovoltaic (PV) energy systems throughout the world. It allows homeowners, small building owners, installers and manufacturers to easily develop estimates of the performance of potential PV installations. Operated by the Alliance for Sustainable.

Solar power generation 44 panels

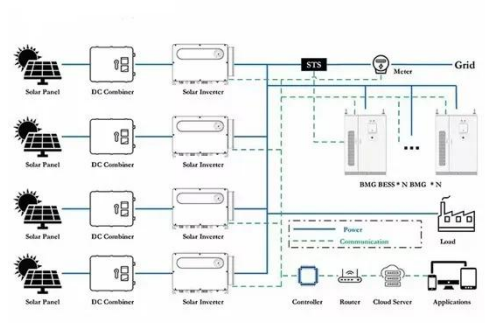


How Much Energy Does A Solar Panel Produce?

If you're thinking about going solar, one of your biggest questions is likely: how much electricity can a solar panel actually produce? This in-depth guide breaks down the numbers, the ...

44kW Solar System Information - Facts & Figures

44kW Solar System Information - Facts & Figures. Everything you ever wanted to know about this solar system size including production estimates.



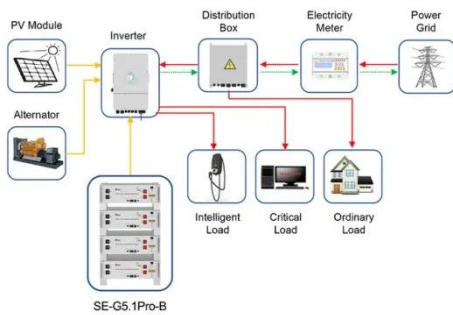
How much solar power can my roof generate?

Let's walk through how to calculate the amount of solar power your roof can generate based on its size, orientation, and angle--as well as the solar panels you install. How much solar ...

Solar Panel Wattage

Calculator

Calculating solar panel wattage involves a series of methodical steps: Determine the panel specifications: Locate the Vmp and Imp values, which are typically provided on the panel's ...



Application scenarios of energy storage battery products

Solar Panel kWh Calculator: kWh Production Per Day, Month, Year

Based on this solar panel output equation, we will explain how you can calculate how many kWh per day your solar panel will generate. We will also calculate how many kWh per year do solar panels ...

How Much Energy Does A Solar Panel Produce?

Learn the solar panel output for major brands and panels, and how it affects the type and size of system you might end up installing.

- LiFePO₄
- Wide temp: -20°C to 55°C
- Easy to expand
- Floor mount&wall mount
- Intelligent BMS
- Cycle Life:≥6000
- Warranty :10 years



How Many kWh Does A Solar Panel Produce Per Day? Calculator



Solar panels can produce quite a lot of electricity. It's quite interesting to see exactly how many kWh does a solar panel produce per day. We will do the math, and show you how you can do the math ...

PVWatts Calculator

Estimates the energy production and cost of energy of grid-connected photovoltaic (PV) energy systems throughout the world. It allows homeowners, small building owners, installers and manufacturers to ...



Solar Panel Output Calculator , Get Maximum Power Output

Welcome to the Solar Panel Output Calculator! This tool is designed to help you estimate the daily, monthly, or yearly energy output of your solar panel system in kilowatt-hours (kWh).

How much solar power can my roof generate?

Let's walk through how to calculate the amount of solar power ...



Contact Us

For catalog requests, pricing, or partnerships, please visit:
<https://www.kidsandparents.pl>

