

Solar power generation camp design plan



Overview

First, assess your campsite's energy needs—think about what you want to power, like LED lights, phones, or a mini fridge. Make a simple list of devices and estimate their daily watt-hour consumption. Next, scout out the best spot for your solar setup. Before diving in, it's essential to understand the basics. Integrating solar power in infrastructure can provide long-term cost savings for businesses. This setup provides a reliable source of electricity, allowing you to extend your trips and enhance your comfort while remaining completely. Whether you're dreaming of a self-sufficient cabin in the woods, planning to power your RV for a long road trip, or simply want to break free from the traditional power grid, building your own off-grid solar system can be an exciting and rewarding project. You likely arrived here wondering about the essential elements that determine the effectiveness, efficiency. Global solar capacity is set to surpass 7 TW of new installations by 2030, making it one of the fastest-growing energy sectors worldwide.

Solar power generation camp design plan

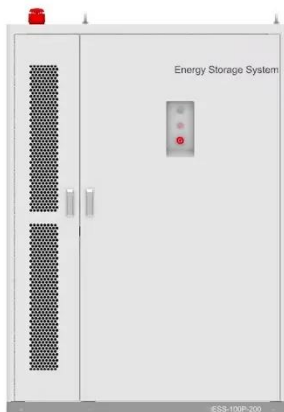


Best 8 Solar Power Plant Design: A Comprehensive Guide

Designing a solar plant, however, involves a meticulous process with many technical, economic, and environmental considerations. Here, we'll dive into the crucial aspects of solar power plant design, ...

Solar Power Plant Design Fundamentals: A Clear Guide

Explore essential solar power plant design fundamentals with expert insights on components, site assessment, innovations, and maintenance for beginners and engineers alike.



How to Build a Solar Generator for Camping , ReelMind

This guide walks you through building your own solar generator for camping, covering components, assembly, and optimization tips. For the latest solar panel efficiency data, check [Energy.gov](https://www.energy.gov).

DIY Solar for Off-Grid Camping: Your Complete Project Guide

Building your own portable solar setup is not only empowering but also a cost-effective way to ensure you have reliable energy wherever your adventures take you. This project guide will ...



How to design solar power plant layouts?

Solar layouts need smart planning. Assess sites, pick panels, design well, boost power, and try new tech. Email me at admin@rendono or visit <https://rendono>.

Sunny Side of Camping: Implementing Solar Power in Campground ...

Solar power is an excellent solution for sustainable and eco-friendly campground design. Incorporating solar panels into campsite infrastructure reduces the reliance on traditional energy ...



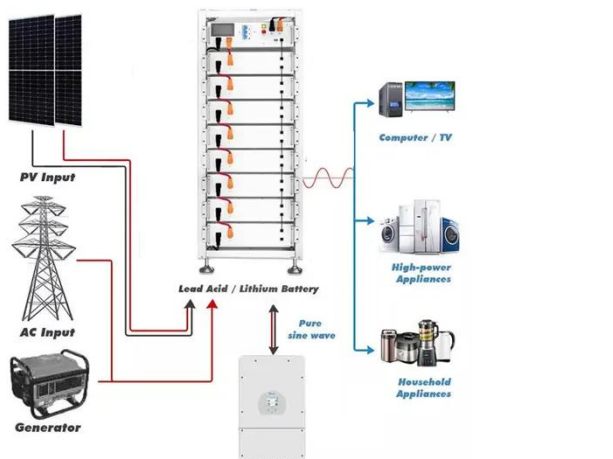
DIY Solar Power Solutions for Campsites: From Panels to Battery Banks

Discover how to set up your own solar power system for campsites. Learn about panels, battery banks, and easy DIY tips to power your next American outdoor adventure off the grid.



The Ultimate Guide to a Solar Energy Storage System for Camp

Building the right system involves understanding its core parts, selecting a suitable battery, and correctly sizing it for your specific needs. A portable solar power system is composed of ...



Solar Power Plant Design Tutorial , Complete Guide 2025

From PV layout planning to design optimization, learn how solar power plant design works and how Wattmonk delivers approval-ready plans that save time.

The Ultimate Guide to Building an Off-Grid Solar Power System

Building an off-grid solar system requires careful planning, a good understanding of your energy needs, and knowledge of electrical systems. This guide will walk you through the process, from ...



Contact Us

For catalog requests, pricing, or partnerships, please visit:
<https://www.kidsandparents.pl>

