

Solar telecom integrated cabinet power solar energy storage cabinet lithium battery



Solar telecom integrated cabinet power solar energy storage cabinet

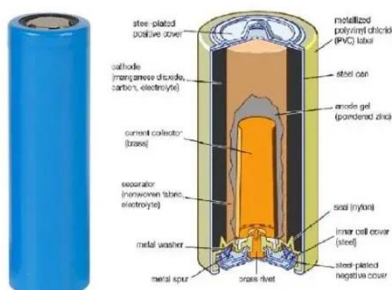


Why Solar Telecom Cabinets Are Game-Changing

Lithium-ion batteries are key to solar-powered telecom cabinets. They are small, light, and store energy well. Unlike older batteries, they hold more power in less space. This means they ...

Integrated Energy Storage Cabinet

The Cabinet offers flexible installation, built-in safety systems, intelligent control, and efficient operation. It features robust lithium iron phosphate (LiFePO4) batteries with scalable capacities, supporting on ...



Solar Energy Lithium Battery and Inverter Storage Cabinet Solution

This advanced lithium iron phosphate (LiFePO4) battery pack offers a robust solution for various energy storage applications. The ESS solution is a highly integrated, all-in-one, C& I Hybrid energy storage ...

Outdoor Cabinet Energy Storage System

The Outdoor Cabinet Energy Storage System is a fully integrated solution that combines safe battery storage, intelligent power management, and weatherproof protection for solar and telecom applications.



Indoor Photovoltaic Telecom Energy Cabinet

They transform solar-sourced DC into AC and store unused energy in high-performance battery packs, providing clean, renewable backup energy to mission-critical telecom equipment.

Telecom Energy Storage System (TESS), Telecom Lithium Battery

GSL ENERGY is a leading provider among home battery energy storage companies, offering reliable telecom lithium-ion batteries designed for seamless integration with solar systems and telecom ...



All-in-one IP55 Outdoor Energy Storage Cabinet for Lithium-

ion Battery



The NEMA type outdoor lithium battery enclosure can effectively control the inner ideal temperature of the cabinet and make the battery run in an ideal temperature condition.

All-in-One Energy Storage Cabinet & BESS Cabinets , Modular, ...

Featuring lithium-ion batteries, integrated thermal management, and smart BMS technology, these cabinets are perfect for grid-tied, off-grid, and microgrid applications. Explore reliable, and IEC ...



LZY-ZB Telecom Battery Cabinet

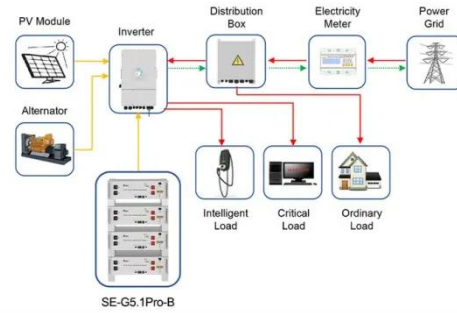
It is integrated with lithium battery modules, an intelligent BMS, high-voltage protection, power distribution and thermal/fire control in a single weatherproof cabinet. Priced at 15-50 kWh capacities, ...



Integrated Solar & Battery Cabinet for Remote Telecom

Systems

Designed for remote locations, it integrates solar controllers, inverters, and lithium battery packs to ensure stable and continuous power for telecom equipment, surveillance systems, and off-grid ...



Application scenarios of energy storage battery products

Contact Us

For catalog requests, pricing, or partnerships, please visit:
<https://www.kidsandparents.pl>

