

Specialized for photovoltaic panel panel briquetting



Overview

Photovoltaic module briquetting casting is a special solar bracket accessory. TORICH is. Pressing blocks are used to install and fix solar panels. The role of the photovoltaic bracket accessories pressing block in the entire photovoltaic power generation system is to fix the component bracket, prevent the bracket from shifting, and ensure the smooth installation of the components;. The utility model discloses a briquetting structure for a photovoltaic bracket, which is applied to the photovoltaic field, and the technical scheme is as follows: briquetting mechanism includes circular briquetting down, goes up the briquetting, briquetting top fixedly connected with cylinder. Medium photovoltaic Briquetting and side photovoltaic Briquetting are used to fix solar panels. Medium photovoltaic Briquetting and side photovoltaic Briquetting are used to fix. In addition to the IRC and IBC, the Structural Engineers Association of California (SEAOC) has published solar photovoltaic (PV) design guidelines, which provide specific recommendations for solar array installations on low-slope roofs³. Our commitment to environmental responsibility is reflected in the innovative design and functionality of our briquetting units. Let's delve into the key components that make our.

Specialized for photovoltaic panel briquetting

LIQUID COOLING ENERGY STORAGE SYSTEM

EMS real-time monitoring
No container design
flexible site layout



Cycle Life
≥ 8000

Nominal Energy
200kwh

IP Grade
IP55

Solar panel briquetting

The most widely used briquetting technologies are Impact Densification (Piston Briquetting), Extrusion Densification (Screw Briquetting), and Hydraulic or Pneumatic Briquetting, Roller Press, and Manual ...

Aluminum briquetting-Products-Yuanlv New Energy -Photovoltaic-PV

? Ground based photovoltaic support system ? Inclined roof photovoltaic support system ? Color steel tile roof support system ? Distributed photovoltaic mounting system ? Glazed tile (linoleum tile) roof ...

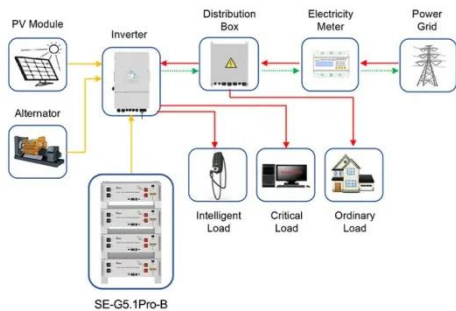


Transform Waste into Wealth with Briquetting Plants

Ensuring control and monitoring capabilities, the specially designed Panel Board oversees the entire Briquetting Unit process. With intuitive controls, it empowers operators to manage and optimize the ...

photovoltaic Briquetting accessories 5

Medium photovoltaic Briquetting and side photovoltaic Briquetting are used to fix solar panels. They are often used with C-shaped steel to achieve a tight connection between the solar panel and the ...



Application scenarios of energy storage battery products

Photovoltaic panel briquetting implementation standards

The dust particles on solar panel surface have been a serious problem for the photovoltaic industry, a new monorail-tracked robot used for automatic cleaning of solar panel is presented in this paper.

New photovoltaic panel briquetting

Sustainable practices in solar panel manufacturing. Students examine how the orientation of a photovoltaic (PV) panel relative to the sun affects the efficiency of the panel.



Photovoltaic Module Briquetting Castings



TORICH is able to manufacture high strength photovoltaic module briquetting. 1.TORICH's photovoltaic module briquetting are more impact-resistant and wear-resistant than ordinary materials. 2.TORICH ...

Briquetting structure for photovoltaic bracket

The utility model relates to the technical field of photovoltaics, in particular to a briquetting structure for a photovoltaic bracket.



Flexible photovoltaic panel briquetting process

Narrowing and bridging the gap between the efficiency of rigid and flexible photovoltaic devices is also possible by applying the techniques and understanding

Contact Us

For catalog requests, pricing, or partnerships, please visit:
<https://www.kidsandparents.pl>

