

# Swaziland electricity safety



## Overview

---

Following are safety tips that can help you and your family to use electricity in a safe manner at home. Don't play with socket outlets (plugs). Electricity cables or codes must not run on busy surface, i. Do not pull a plug out by the cord because it can. Eswatini Electricity Company is a company that is socially responsible and therefore in its endeavor to satisfy its customers, reducing electricity injuries and unnecessary death is also one of the highest mandates by giving safety tips to the community. As mentioned above, electricity is a friend. The provision of safe, reliable and affordable power supply is one of the most important cornerstones for economic development. The risks range from minor to major risks such serious body injuries to fatalities; some of which have a cascading effect to dependents of the affected. Hence, electricity.

Capacity Procurement Capacity Procurement Overview 40 MW Solar PV 40 MW Biomass Upcoming Tenders Accredited Solar Installers Petroleum & Gas Overview Licensing Inspection Fuel Testing Laboratory Regulatory Instruments Regulatory Instruments - Electricity Regulatory Instruments - Petroleum Africa. Notwithstanding all known benefits of power supply, there are environmental risks associated with electricity generation, transmission and usage that need to be identified, assessed and managed. The dialogue, held at the UN House in Mbabane, focused on the challenges and opportunities facing Eswatini in its.

## Swaziland electricity safety

---

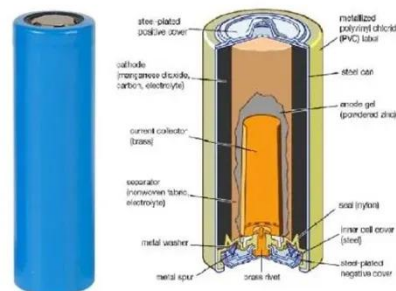


### Electricity Safety Tips -- Education , Eswatini Electricity Company ...

Following are safety tips that can help you and your family to use electricity in a safe manner at home. Don't play with socket outlets (plugs). Electricity cables or codes must not run on busy surface, i.e. ...

### (PDF) Mphephu (2016) Hazard and Risk Assessment in Electricity ...

The study provides information on currently used control measures and proposes additional measures that could help improve the safety performance of Swaziland Electricity Company and facilities of ...



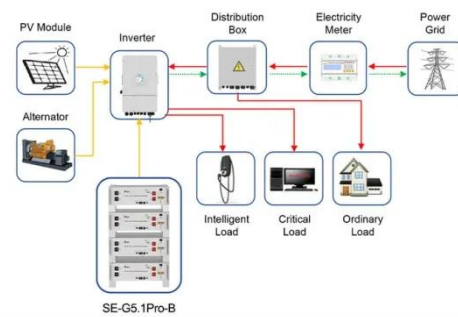
### Electricity Act, 2007 - EswatiniLII

(4) An operator of an electricity undertaking shall test any installation of an applicant for a supply of electricity to ensure the safety of the installation and the users.



## ASPECT IDENTIFICATION AND ENVIRONMENTAL RISK ...

This paper therefore presents the risk assessment methodology used in the electricity sector in Swaziland. The basic step of the framework generally follows risk management principles based on ...



Application scenarios of energy storage battery products



## Regulatory Frameworks :: Eswatini Energy Regulatory Authority ...

Eswatini Energy Regulatory Authority is a statutory Energy Regulatory Body established through the Energy Regulatory Act, 2007 (Act No.2 of 2007). The Mandate of ESERA is the administration of ...

## Status of Energy Security in Eswatini

This makes Eswatini an electricity deficient country, with demand outstripping supply by a wide margin. Eswatini currently imports 70-80% of its electricity from South Africa and Mozambique,



## Eswatini Electricity Company (EEC) -- "Energy for The Future"

There are several ongoing projects that are geared to improve Eswatini's citizens access to electricity. The current access rate stands at 82%. Eswatini is ranked number 3 in the Southern African region

...

## Hazard and Risk Assessment in Electricity Sector: A Case of Swaziland

This work determined hazards associated with the electricity sector and developed a simplified tool for hazard identification which can be used by other sectors.



## Hazard and Risk Assessment in Electricity Sector: A Case of

## Swaziland

The main objective of this research paper was to identify and assess risks associated with the electricity sector mainly in the operations department (generation, distribution and transmission of electricity) at ...



---

## Environmental risk assessment for the electricity sector : a case of

The methodology presented in this study focused on the identification of hazards/aspects and risks associated with processes in electricity generation, transmission and distribution.



---

## Contact Us

For catalog requests, pricing, or partnerships, please visit:  
<https://www.kidsandparents.pl>

