

# Thailand Flywheel Energy Storage EPC



## Overview

---

Browse our products and documents for Flywheel - Compatible with three-phase UPS products as an environmentally sound reliable energy storage device for installations requiring short backup time. May also be implemented with batteries to isolate. Schneider Electric Thailand. Flywheel energy storage systems store energy kinetically, making them efficient and versatile for various applications. (CEEG Shanxi) has successfully secured the bid for the 180 MW floating photovoltaic (FPV) EPC project at Srinagarind Dam in Kanchanaburi Province, Thailand, under the Electricity Generating Authority of Thailand (EGAT). This. As renewable energy adoption surges across East Asia, innovative solutions like the EK Flywheel Energy Storage Project are redefining grid reliability. This article explores how flywheel technology bridges the gap between intermittent clean energy sources and stable power supply, with actionable. Get custom product tools and services Access training Manage support cases Create and manage your orders (authorized partners only) 0item count of documents is Cancel Professionals Schneider Online Shop Logout Welcome to the Schneider Electric Website Welcome to our website.

## Thailand Flywheel Energy Storage EPC

---

114KWh ESS



ISO 9001 ISO 14001 PICC RoHS CE MSDS UN38.3 UK CA IEC

### East Asia EK Flywheel Energy Storage Project: Powering Tomorrow's ...

This article explores how flywheel technology bridges the gap between intermittent clean energy sources and stable power supply, with actionable insights for energy planners and industrial users.

---

### A review of flywheel energy storage systems: state of the art and

There is noticeable progress in FESS, especially in utility, large-scale deployment for the electrical grid, and renewable energy applications. This paper gives a review of the recent ...



---

### Asia-Pacific Flywheel Energy Storage Market Trends 2020-2028

The analysis of the flywheel energy storage market in the Asia Pacific region, one of the emerging regions in the world, is based on the market regions of India, South Korea, Japan, Indonesia, China, ...



---

## Grid-Scale Flywheel Kinetic Energy Storage Systems

Equipment installation up to low voltage connection point. switchgear, substation. Includes excavation for flywheel.



---

## Flywheel Energy Storage Systems and Their Applications: A Review

This study gives a critical review of flywheel energy storage systems and their feasibility in various applications. Flywheel energy storage systems have gained increased popularity as

---

## Thailand Flywheel Energy Storage System Market (2024-2030)

Flywheel energy storage systems store energy kinetically, making them efficient and versatile for various applications. In Thailand, as in many countries, the market for energy storage solutions is growing ...



---

## Flywheel Energy Storage

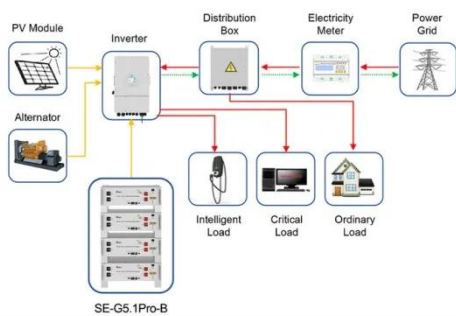
## Technologies in ASEAN: Powering a ...

Summary: Flywheel energy storage is gaining momentum across ASEAN as nations seek reliable solutions for renewable integration and grid stability. This article explores current applications, key ...



### Thailand flywheel energy storage

Flywheel energy storage systems are suitable and economical when frequent charge and discharge cycles are required. Furthermore, flywheel batteries have high power density and a low ...



Application scenarios of energy storage battery products

### CEEG Shanxi Wins 180 MW Floating Solar EPC Project at Thailand's

China Energy Engineering Group Shanxi Electric Power Engineering Co., Ltd. (CEEG Shanxi) has successfully secured the bid for the 180 MW floating photovoltaic (FPV) EPC project at Srinagarind ...

## Contact Us

For catalog requests, pricing, or partnerships, please visit:  
<https://www.kidsandparents.pl>

