

The role of full frame photovoltaic panel installation



Overview

Solar panel frame is paramount in solar installations as it secures key solar panel units such as PV cells, Glass, back sheet, and EVA film. It provides essential structural support to the whole PV system whether it's a rooftop installation or ground-mounted solar panels. The solar panel frame. The frame handling and preparation system is responsible for loading, positioning, and securing the solar panel frame in the correct orientation for the assembly process. Starting with a detailed site assessment to evaluate solar potential and optimal setup, the process ensures efficiency and. A solar panel frame is a specially designed structure made from aluminum, aluminum alloys, or steel. The panels can't do their job the way they're supposed to without that strong base.

The role of full frame photovoltaic panel installation



Solar Panel Frame & Framing Machine: A Complete Guide

Learn about the crucial role of solar panel frames and framing machines in PV manufacturing. This guide covers materials, components, and the assembly process.

Solar Photovoltaic System Design Basics

Solar photovoltaic modules are where the electricity gets generated, but are only one of the many parts in a complete photovoltaic (PV) system. In order for the generated electricity to be useful in a home ...



Structural Requirements for Solar Panels -- Exactus Energy

This comprehensive guide outlines the structural requirements for solar panels and provides an overview on the inner workings of the installation process.

Roles and Responsibility of Solar Panel Frame in PV Production

Solar panel frame is paramount in solar installations as it secures key solar panel units such as PV cells, Glass, back sheet, and EVA film. It provides essential structural support to the whole PV system ...



Understanding Solar Panel Frames

A solar panel frame is a specially designed structure made from aluminum, aluminum alloys, or steel. Its primary function is to hold solar panels securely in position, protecting them from external factors ...

What Are the Main Components of Solar Panels? A Structural ...

Solar panels are not a single functional element, but modules composed of multiple structural units. Each component plays a distinct role in optical protection, electrical energy ...



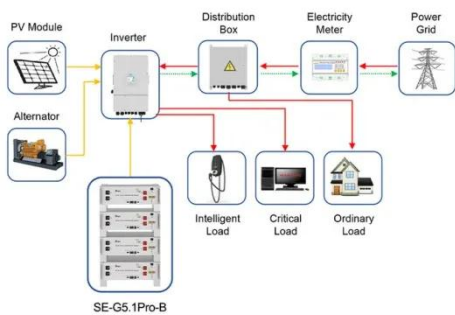
A Guide to Photovoltaic Systems Installation: From Setup to ...



Each phase of the installation process, from the initial setup and connection to the grid to rigorous commissioning and regular maintenance, plays a crucial role in ensuring the system's efficiency and ...

Why is a Solar Panel Frame Important in a Solar Panel?

A well-crafted aluminum solar panel frame can aid in avoiding issues such as short circuits, insulation degradation, and other problems that can adversely affect the performance and lifespan of the solar ...



Application scenarios of energy storage battery products

Photovoltaic panel installation frame structure requirements

The structure of a roof that supports solar photovoltaic panels or modules shall be designed to accommodate the full solar photovoltaic panels or modules and ballast dead load, including ...

Contact Us

For catalog requests, pricing, or partnerships, please visit:

<https://www.kidsandparents.pl>

