

The solar inverter is very loud



Overview

Yes, it is normal for a solar inverter to make some noise. In this article, we explain why your inverter is making noise, what levels are considered normal, and how to reduce. While solar inverters are designed to operate quietly, a faint hum, occasional clicking, or low buzzing is perfectly normal under most conditions. Understanding what causes these noises and how to manage them is essential for maintaining your system's efficiency and ensuring peace of mind. However, if the inverter sound is unusually loud or high-pitched, it might indicate a technical issue. So when homeowners start hearing a high-pitched sound, buzzing, whining, or electrical squeal coming from the inverter, wiring, or panels, it's alarming — and for good reason.

The solar inverter is very loud



Why Your Solar System Makes High-Pitched Sounds

A high-pitched solar noise can signal inverter stress, wiring issues, or failing components. Learn what causes it and how to fix it safely.

Understanding Inverter Noise: Why Does Your Inverter Make a Sound?

One of the main causes of inverters making noise can be due to poor quality inverter components, improper installation, or environmental conditions that are too extreme and unstable electrical power ...



Types of solar inverters noise + 10 ways to fix it

Some solar inverters are designed to operate silently, while others ...

The fan noise of the photovoltaic inverter is too loud

This article delves into the noise levels of solar inverters, exploring the factors that influence these levels, the implications of inverter noise, and strategies for managing and reducing noise in solar ...



Energy storage(KWh)

102.4kWh

Nominal voltage(Vdc)

512V

Outdoor All-in-one ESS cabinet

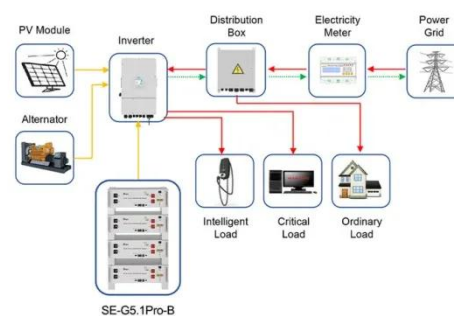


Understanding Noise from Solar Inverters: What Homeowners Should ...

Do Solar Inverters Make Noise in Everyday Use? The short answer is yes--but it's typically very minimal. Do solar inverters make noise due to mechanical fans or transformer ...

Do Solar Inverters Make Noise? 7 Surprising Facts!

How loud is a solar inverter? Residential solar inverters typically range from 25-55 decibels (dB), comparable to a quiet hum or refrigerator, depending on the model and operating ...



Application scenarios of energy storage battery products

Solis Seminar ?Episode 57?: Troubleshooting Guide Abnormal ...



Inverters operating at high or full power sometimes exhibit abnormal noises, ranging from subtle to more pronounced sounds. What causes these issues, and how can they be resolved? This ...

Types of solar inverters noise + 10 ways to fix it

Some solar inverters are designed to operate silently, while others may produce a low humming or buzzing noise during operation. The noise level of a solar inverter is typically measured ...

Utility-Scale ESS solutions



Inverter Making Noise? Common Causes and Solutions , Mingch

Yes, it is normal for a solar inverter to make some noise. However, if the inverter sound is unusually loud or high-pitched, it might indicate a technical issue. In this article, we explain why your ...

Data Report: Typical dB Levels from Inverters and Fans

Most solar inverters operate in a range of 25-55 dB, which is relatively quiet. For perspective, a quiet whisper is around 30 dB, while a normal conversation is about 60 dB.



Understanding Solar Inverter Noise: Causes, Solutions, and FAQs

Discover the causes, solutions, and FAQs about solar inverter noise. Learn how to reduce unwanted sounds and keep your solar inverter running efficiently.

Contact Us

For catalog requests, pricing, or partnerships, please visit:
<https://www.kidsandparents.pl>

