

# Tilt angle of photovoltaic panel support



## Tilt angle of photovoltaic panel support



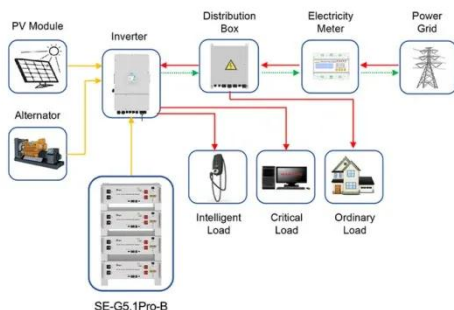
### Solar Panel Tilt Angle Calculation: Complete ...

Learn how to calculate optimal solar panel tilt angles. Complete guide with formulas, PVGIS tools, and expert tips to maximize your solar system efficiency.

### Optimum location and influence of tilt angle on performance of solar PV

The PV panel performance to generate electrical energy depends on many factors among which tilt angle is also a crucial one. Among hundreds of research work performed pertinent to solar ...

12.8V 200Ah



Application scenarios of energy storage battery products

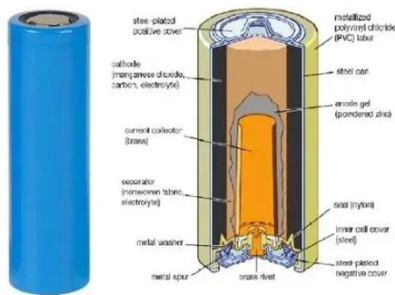
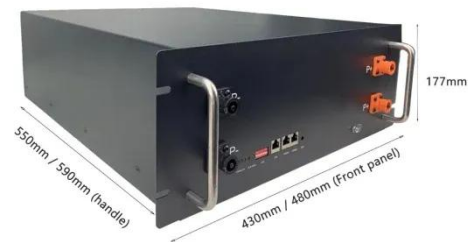
### (PDF) Photovoltaic panels tilt angle optimization

The tilt angle of solar panels is significant for capturing solar radiation that reaches the surface of the panel. Photovoltaic (PV) performance and efficiency are highly affected by its angle of

## Solar Panel Tilt Angle Calculator

Discover the best angle for your solar panels with our Solar Panel Tilt Angle Calculator. Maximize energy efficiency and save money!

PUSUNG-R (Fit for 19 inch cabinet)



## What is the optimal orientation and tilt angle for solar panels

For photovoltaic panels where the electricity is re-injected into the grid for re-sale, the optimum orientation is south with an angle of a 37°, which maximizes total electricity production.

## Optimal Tilt Angles for Solar Energy Systems

The optimal tilt angle of solar panels is critical for maximising energy capture while ensuring efficient integration into diverse climates and geographic conditions.



## Calculate Your Optimal Solar Panel Tilt Angle

Boost your solar panel's efficacy with our comprehensive guide. Calculate the optimal tilt angle based on empirical



data, dispel common myths, and understand how location impacts solar energy output.

---

## Tilt angle of photovoltaic panel support

Tilt angle of photovoltaic panel support 2  
Tilt angles and PV panels 2.1 PV tilt  
Angle Solar PV tilt angle is defined as the  
number of degrees from the horizontal  
plane [10], another definition it is slope  
angle at ...



---

## Determination of Optimal Tilt Angle for SPV Panels Using Various

Solar photovoltaic (SPV) systems have witnessed tremendous growth in the last decade due to their wide adoption throughout the world. These systems are installed on the ground or on ...

---

## An experimental study on determination of optimal tilt and ...

This paper determines the most suitable azimuth and tilt angles for photovoltaic (PV) panels to generate electricity from solar energy. Literature reviews typically focus on maximizing ...



---

## Contact Us

---

For catalog requests, pricing, or partnerships, please visit:  
<https://www.kidsandparents.pl>

