

# Time of day when solar power generation is highest



## Overview

---

Solar irradiance is highest during midday hours, leading to peak production. Conversely, early mornings and late afternoons yield significantly lower outputs due to the lower angle of the sun. Solar panels are designed to convert sunlight into electricity, which means they are most effective when the sun is shining directly on them.

## Time of day when solar power generation is highest

---



### Solar Power Generation Trends Throughout the Day

Recognizing that solar power generation is not static allows stakeholders to adapt strategies based on time-of-day dynamics. The generation levels fluctuate significantly due to multiple factors including the sun's ...

---

### What Are Peak Sun Hours and Why Should You Care?

Simply put, peak sun hours refer to the time during the day when the sun's rays are at their strongest, providing the maximum amount of sunlight for your solar panels to absorb. This is the period when your solar system ...



### When is the best time to use your solar power?

The best time of day to use solar-generated electricity is during the middle of the day when the sun is the strongest, usually between 9am - 3pm. These peak times can vary depending on the orientation ...

## How Does Time Of Day Affect The Efficiency Of Solar Panels?

Midday is when the sun reaches its highest point in the sky, resulting in the highest sun intensity of the day. This peak intensity ensures that solar panels receive a high amount of energy, making it an ideal ...



## What time of day do solar panels work best?

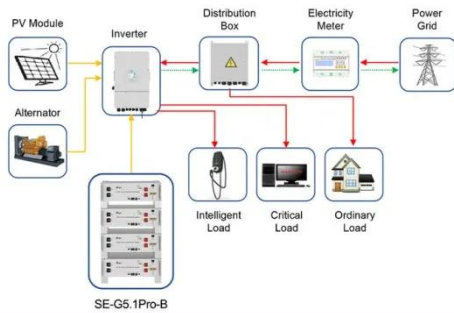
The best time of day to use solar-generated electricity is during the middle of the day when the sun is the strongest, usually between 9am - 3pm. These peak times can vary depending on ...

## What time of day do solar panels work best?

The highest solar generation during day time is usually from 11 am to 4 pm. One of the main criteria while installing solar panels is whether they will receive ample peak sun hours.



## Does Solar Generate in Winter?



Application scenarios of energy storage battery products

Solar power output in the UK peaks during the sunnier months, generally from April to September. With extended daylight hours and the sun positioned higher in the sky, your panels will receive ...

## At What Time of Day Is Solar Intensity Greatest?

Solar intensity is highest at midday due to the Sun's angle and the path length of its rays through the atmosphere. When the Sun is high in the sky, its rays strike the Earth's surface at a more direct ...



## Average Peak Sun Hours By State (+ 50 State Winter, Summer Averages)

Whenever we are calculating if solar panels pay off, we use the average peak sun hours at your location. To help with numerous calculations we made on The Green Watt, we have summarized the average sun peak hours ...

## Optimal Times for Solar Panel Energy Production

Learn when solar panels start producing energy and how daylight impacts their efficiency. Discover optimal times for maximum solar energy generation.



## **Peak Sun Hour: Time of Day with Maximum Solar Radiation**

Solar power generation is at its highest when the sun is directly above and emitting maximum solar radiation. This time of day is usually around noon and early afternoon. At sunrise and sunset, the sun ...

## **Contact Us**

For catalog requests, pricing, or partnerships, please visit:  
<https://www.kidsandparents.pl>

