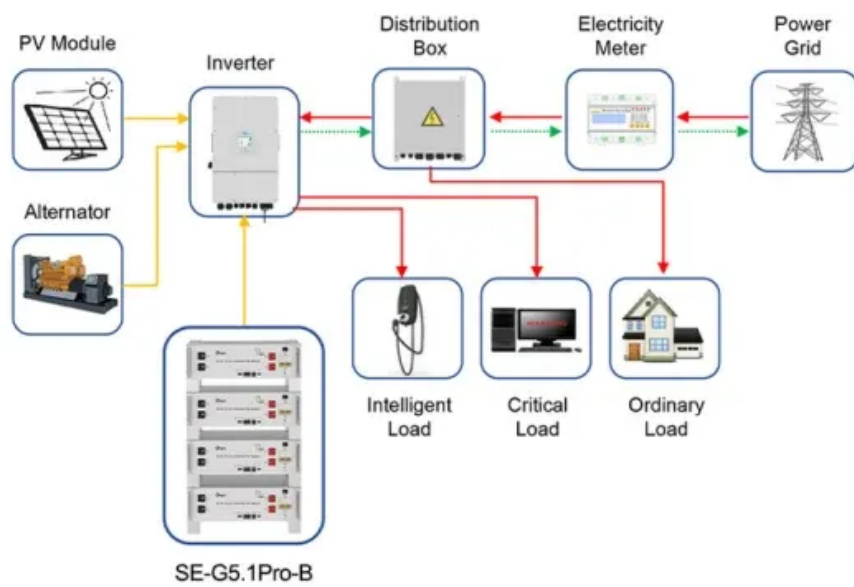


# Uruguay EK Electrochemical Energy Storage Project



Application scenarios of energy storage battery products



## Uruguay EK Electrochemical Energy Storage Project

---



### Uruguay Energy Storage Project: Powering the Future with ...

Enter the Uruguay energy storage project, a game-changer in balancing the country's wind-heavy grid. Think of these storage systems as giant "energy piggy banks" - they save excess power during windy ...

---

### INVENERGY COMPLETES FINANCING FOR THIRD PROJECT IN ...

A battery energy storage system (BESS) is an electrochemical device that charges from the grid or a power plant and then discharges that energy to provide electricity or other grid services when needed.



---

### Uruguay's Shared Energy Storage Project Bidding: Opportunities and

Summary: Uruguay's innovative shared energy storage project bidding is reshaping its renewable energy landscape. This article explores the project's framework, key opportunities

for investors, and ...



---

## Uruguay energy storage power station

A 100MWh battery energy storage system has been integrated with 400MW of wind energy, 200MW of PV and 50MW of concentrated PV (CPV) in a huge demonstration project in China.



---

## Uruguay energy storage power station project bidding

Search all the announced and upcoming battery energy storage system (BESS) projects, bids, RFPs, ICBs, tenders, government contracts, and awards in Uruguay with our comprehensive

---

## Uruguay Peso City Distributed Energy Storage Key Insights Benefits

Summary: Uruguay's Peso City is

pioneering a distributed energy storage project to optimize renewable energy integration, reduce grid instability, and empower urban sustainability. This article explores its ...

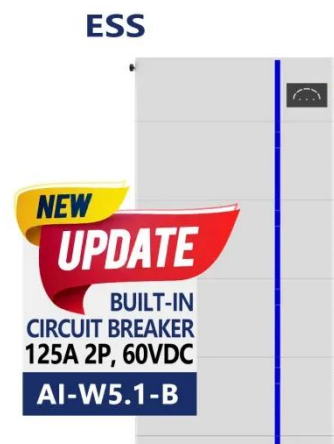


## Understanding Uruguay's Energy Storage Subsidy Policy for Peso City

Summary: Uruguay's Peso City has launched groundbreaking subsidy policies to accelerate energy storage adoption. This article explores how these incentives work, their impact on renewable energy ...

## Uruguay Electrochemical Energy Storage Power Station Bidding

Systems for electrochemical energy storage and conversion include full cells, batteries and electrochemical capacitors. In this lecture, we will learn some examples of electrochemical energy ...



## Uruguay Peso City Battery Energy Storage Project

## Bidding: ...

Discover how Uruguay's Peso City battery storage project is reshaping renewable energy integration in South America. Learn about bidding strategies, market trends, and why global investors are watching ...



---

## Uruguay Energy Storage Project Bidding Opportunities and Strategic ...

This article explores the technical requirements, bidding strategies, and emerging trends for projects like the Uruguay energy storage project bidding initiative - a critical step in achieving 24/7 clean power.



---

## Contact Us

For catalog requests, pricing, or partnerships, please visit:  
<https://www.kidsandparents.pl>

