

# What are the industrial energy storage devices in Malaysia

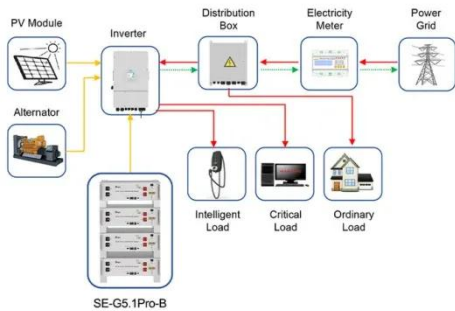


## Overview

---

Our fully integrated, plug-and-play battery energy storage solutions (also known as BESS) come in different sizes, from 30 kVA to 1MW, to suit a wide range of industrial and commercial energy storage applications. They ensure maximum system effectiveness and efficiency. Their expertise in sourcing and handling crude oil and refined products highlights their capability to meet diverse energy storage needs. BPE Energy Sdn Bhd specializes in Engineering. Deployment of behind-the-meter (BTM) energy storage in commercial, industrial, and residential sectors is gaining traction as end-users seek energy cost savings and backup power capabilities. This system not only meets the lighting and appliance needs of 20 households but also completely eliminates the. KEDAH, 17 March 2025 – EVE Energy Co. (EVE Energy) has officially committed to a significant expansion of its Malaysian operations, signing a landmark Memorandum of Understanding (MoU) with InvestKedah. Ditrolic Energy Ditrolic Energy is at the vanguard of Malaysia's transition to sustainable energy, offering versatile Battery Energy Storage System (BESS) solutions. They have been optimised.

## What are the industrial energy storage devices in Malaysia



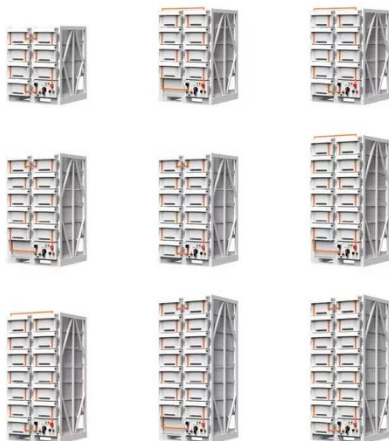
Application scenarios of energy storage battery products

### Malaysia Industrial and Commercial Energy Storage System

Several emerging trends are shaping the future of the Malaysia Industrial and Commercial ESS market. One of the prominent trends is the increased integration of Artificial ...

### Malaysia commercial and industrial energy storage

Overview of the progress and outlook of energy storage adoption on both new and second life energy storage in Malaysia. Potential benefits of energy storage in terms of economic cost or reliability within ...



### GSL ENERGY 500kWh+ Commercial & Industrial Energy Storage ...

GSL ENERGY has deployed three 25kW/172kWh commercial and industrial energy storage systems in Johor, Malaysia, with a total capacity of 516kWh. This initiative provides stable, ...

## Malaysia energy storage system

The first locally-produced battery energy storage system (BESS) product in Malaysia will support the energy transition and boost competitiveness in high tech industry sectors, a government minister has ...



## Top 43 Energy Storage Companies in Malaysia (2026) , ensun

Discover all relevant Energy Storage Companies in Malaysia, including ENSA Energia A.G. and BPE Engineering & Services Sdn Bhd

## Malaysia Battery Energy Storage Systems Market Size and Forecasts ...

Battery energy storage systems (BESS) are key enablers of grid flexibility, energy reliability, and renewable energy integration. These systems store electricity during low-demand ...



## Unlocking Malaysia's Energy Storage Systems: Applications



In our previous article, we discussed how Malaysia's journey towards a sustainable and resilient energy future hinges on one strategic leap - the adoption of Energy Storage Systems (ESS). ...

---

## Energy storage systems: A review of its progress and outlook, ...

The following part of the literature covers the paradigm shift and reasoning of energy storage adoption for both new and second-life energy storage (SLESS) among industry players and ...



---

## EVE Energy's Phase 2 Energy Storage System Expansion Set to ...

The agreement, focusing on Phase 2 of EVE Energy's manufacturing facility development, promises to revolutionise Malaysia's energy storage capabilities while creating ...

---

## Battery Energy Storage Systems & Solutions , Aggreko MY

Our fully integrated, plug-and-play battery energy storage solutions (also known as BESS) come in different sizes, from 30 kVA to 1MW, to suit a wide range of industrial and commercial energy storage ...



---

## Contact Us

---

For catalog requests, pricing, or partnerships, please visit:  
<https://www.kidsandparents.pl>

