

What are the shortwave outdoor power supplies



Overview

You'll find some of the top shortwave radio power supplies in the list below. These features are crucial for keeping your radio running effectively. The right power supply enhances your listening experience and minimizes any interruptions during. A shortwave receiver is only as good as its antenna, no matter how sophisticated or expensive it might be! Therefore, it is worth your while to choose your antenna carefully, be it homemade or commercially made. I use my radio at my bedside permanently plugged in to power. Could. Just follow these simple instructions below to build either an outdoor or indoor multiband shortwave antenna.

What are the shortwave outdoor power supplies



What portable shortwave radios come with AC power supply? : r

Radios with a power jack can be fed by a 'wall-wart' power supply. Make certain the polarity and voltage are correct. The larger 'Table top' shortwave radios often have those supplies built-in

Shortwave Radios , DXE HAM Radio Equipment

Find Shortwave Radios and get Free Shipping on Most Orders Over \$99 at DX Engineering!



Our Lifepo4 batteries can be connected in parallels and in series for larger capacity and voltage.



Shortwave Antennas

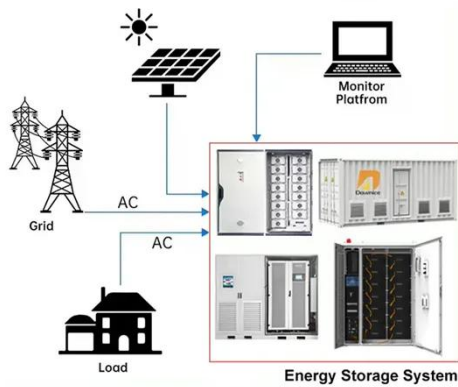
Please note that the antennas above are for receive-only (not transmitting). Please note that antennas are not returnable.

All About Shortwave Radio Transceivers: Ultimate FAQ

Power Supply: The transceiver requires power to operate, and the power supply unit provides it. Most shortwave radio transceivers use either an internal rechargeable battery or an external AC/DC power ...



DISTRIBUTED PV GENERATION + ESS



Best Shortwave Radio Antennas

Outdoor shortwave antennas should be made from UV-stable materials and have sealed housings to protect against rain, corrosion, and temperature changes for long-term reliability.

Build a Multiband Shortwave Antenna

Just follow these simple instructions below to build either an outdoor or indoor multiband shortwave antenna. These antenna types described below can generally be used either outdoors or indoors, but lots depends on ...



The Shortwave Antenna

The shortwave antenna explained, from how it works to how to choose the type that will best fit your needs and SWL

listening environment.



The Shortwave Antenna

How Antennas Work
 The Bad and Good News
 Shortwave Antenna Basic Facts
 Outdoor SWL Antennas
 Commercial Outdoor Antennas
 Commercial Indoor SWL Antennas
 Homemade Indoor Shortwave Antenna
 Shortwave Listening Accessory Software
 Shortwave Listening Online
 An outdoor shortwave antenna will always give better results than an indoor one. A random length outdoor wire antenna installed as high above ground - and as far away from buildings and power lines as possible - will generally give quite satisfactory results. The reason behind this is that - like a tuning fork - an antenna will perform best when it See more on hamradiosecrets



Videos of What Are The Shortwave Outdoor Power Supplies?

Watch video 1:00 Discover Schneider Electric's Offgrid Portable Power Station Ft. Schuko Outlets , Schneider Electric
 Schneider Electric 1.2K views 10 months ago
 Watch video 15:36 Building a quick

Shortwave Antenna using Electrical Fencing parts Powers Family Homestead86.1K viewsWatch video7:24The only 100W portable HF-Transceiver with Integrated Battery. Crazy Chekov13.8K views2 months agoWatch full videoReddit

What portable shortwave radios come with AC power supply? : r

Radios with a power jack can be fed by a 'wall-wart' power supply. Make certain the polarity and voltage are correct. The larger 'Table top' shortwave radios often have those supplies built-in

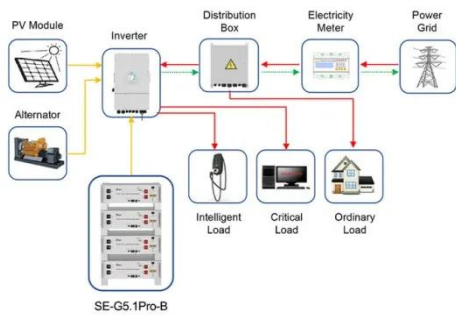


Best Shortwave Weather Radios of 2026

It features a NOAA weather alert radio that keeps you prepared ahead of time, an AM/FM shortwave radio with an earphone jack for the best listening experience, and 5 power sources for a long runtime.

5 Best Shortwave Listening Antennas

Compare 5 of the best shortwave listening antennas--random wire, magnetic loop, sky loop, Beverage, and T2FD--to boost SWL reception in any space or noise environment.



Application scenarios of energy storage battery products

10 Best Shortwave Radio Power Supplies for Optimal Performance

These radios need power supplies that are reliable and efficient. A good power supply keeps your radio operating smoothly and ensures clear signal reception. When choosing a power supply for a shortwave ...

Contact Us

For catalog requests, pricing, or partnerships, please visit:
<https://www.kidsandparents.pl>

