

Which solar-powered communication cabinet flow battery is better in vilnius



Overview

Spoiler: Lithium-ion batteries dominate the market, but alternatives like saltwat Looking for reliable energy storage batteries in Vilnius?

This guide compares top technologies, analyzes local applications, and reveals how businesses and households can optimize energy. Spoiler: Lithium-ion batteries dominate the market, but alternatives like saltwat Looking for reliable energy storage batteries in Vilnius?

This guide compares top technologies, analyzes local applications, and reveals how businesses and households can optimize energy. Discover how a grid-connected photovoltaic inverter and battery system enhances telecom cabinet efficiency, reduces costs, and supports eco-friendly operations. Solar panels and renewable energy reduce the need for regular electricity. In faraway places without power, solar telecom battery cabinets keep things running. They are very important for. With the increase in variable renewable energy (solar and wind power) penetration globally, long-duration energy storage (LDES) solutions such as flow battery technology will be essential in meeting the decarbonization goals, grid efficiency, and reliability needs. Spoiler:. Lithuanian manufacturers like EK SOLAR design systems that reduce solar/wind curtailment by up to 40%.

Which solar-powered communication cabinet flow battery is better



Here's the Top 10 List of Flow Battery Companies (2025)

An Introduction to Flow Batteries
Top 10 Flow Battery Companies
Vanadium Redox Flow Battery vs. Iron Flow Battery
Blackridge Research & Consulting - Global Flow Battery Market Report
Conclusion
Now that we got to know flow batteries better, let us look at the top 10 flow battery companies (listed in alphabetical order):
See more on [blackridgeresearch](#) [trendstuff](#)

Best Energy Storage Battery Solutions in Vilnius: A Complete Guide

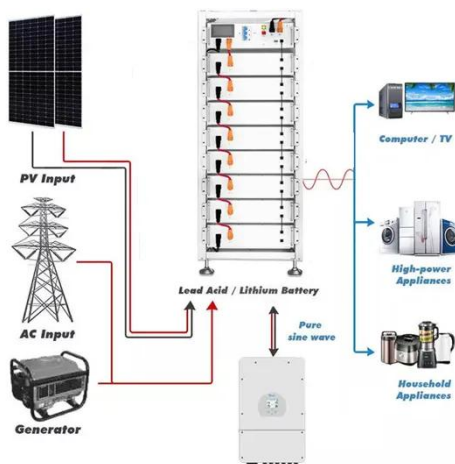
...

Looking for reliable energy storage batteries in Vilnius? This guide compares top technologies, analyzes local applications, and reveals how businesses and households can optimize energy efficiency.

VILNIUS ENERGY STORAGE BATTERY CABINET , ICEENG CABINET

The solar farm is under development by a consortium comprising of Egypt, Asunim Solar from the United Arab

Emirates (UAE) and I-kWh Company, an energy consultancy firm also based in the UAE.



OUTDOOR BATTERY CABINET FOR COMMUNICATION BASE ...

We rank the 8 best solar batteries of 2023 and explore some things to consider when adding battery storage to a solar system. . Naming a single "best solar battery" would be like trying to name "The ...

Why Solar Telecom Cabinets Are Game-Changing

Lithium-ion batteries are key to solar-powered telecom cabinets. They are small, light, and store energy well. Unlike older batteries, they hold more power in less space. This means they ...



Vilnius Energy Storage System Manufacturers: Powering a ...

Lithuanian ... manufacturers like EK SOLAR design systems that reduce solar/wind



curtailment by up to 40%. Their modular batteries seamlessly integrate with existing solar farms--imagine a "plug-and ...

Indoor Photovoltaic Telecom Energy Cabinet

They transform solar-sourced DC into AC and store unused energy in high-performance battery packs, providing clean, renewable backup energy to mission-critical telecom equipment.



Flow battery solar power generation for solar-powered communication

South African manufacturer of microgrid energy management cabinets, data center edge computing cabinets, off-grid energy cabinets, mining explosion-proof battery cabinets, and mobile ...

Communication network cabinet base station solar container ...

An Outdoor Photovoltaic Energy Cabinet is a fully integrated, weatherproof power solution combining solar generation, lithium battery storage, inverter, and EMS in a single cabinet.



Nominal Capacity
230Ah
Nominal Energy
50kW/100kWh
IP Grade
IP54

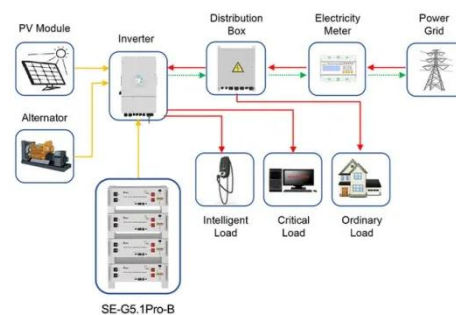


Flow Batteries: Definition, Pros + Cons, Market Analysis & Outlook

Flow batteries exhibit significant advantages over alternative battery technologies in several aspects, including storage duration, scalability and longevity, making them particularly well ...

Here's the Top 10 List of Flow Battery Companies (2025)

What is a flow battery made of? Who makes flow batteries? Check out our blog to learn more about our top 10 picks for flow battery companies.



Application scenarios of energy storage battery products

Best Energy Storage Battery Solutions in Vilnius: A Complete Guide ...



Looking for reliable energy storage batteries in Vilnius? This guide compares top technologies, analyzes local applications, and reveals how businesses and households can optimize energy efficiency.

Contact Us

For catalog requests, pricing, or partnerships, please visit:
<https://www.kidsandparents.pl>

