

Will Tesla generate electricity from solar energy in the future



Overview

Tesla CEO Elon Musk is investing in humanoid robots & solar energy in 2026 changing Tesla's guiding mission from Sustainable Abundance to Amazing Abundance. Tesla CEO Elon Musk is investing in humanoid robots & solar energy in 2026 changing Tesla's guiding mission from Sustainable Abundance to Amazing Abundance. Tesla CEO Elon Musk is investing in humanoid robots & solar energy in 2026 changing Tesla's guiding mission from Sustainable Abundance to Amazing Abundance. Founded in 2003 as an EV company, Tesla has expanded its focus significantly over the past two decades, from batteries and energy to its. Tesla's latest earnings call saw the CEO, Elon Musk, discuss the future of the company's energy strategy. Credit for headshot: WEF Tesla looks to be deepening its commitment to clean energy, with solar power forming a central part of the company's new US\$20bn investment strategy. This capital. 'Solar Is Everything': Tesla's Elon Musk Says Other Energy Sources Are a Waste of Time, Like 'a Caveman Throwing Some Twigs Into the Fire' Oops, something went wrong Skip to navigation Skip to main content Skip to right column News Today's news US Politics 2025 Election World Weather Climate. As the global energy landscape shifts towards sustainability, Tesla is poised to make a significant impact with its innovative solar solutions. The company's expansion into residential solar energy could revolutionize how communities consume power, offering a path to greater energy independence and. It shows your Solar Roof is no longer generating power due to the storm, but your Powerwall battery, which was fully charged with clean energy just a few hours ago, has seamlessly taken over, powering your entire home. The app also shows it's sending a slow, steady trickle of energy to your Model Y.

Will Tesla generate electricity from solar energy in the future

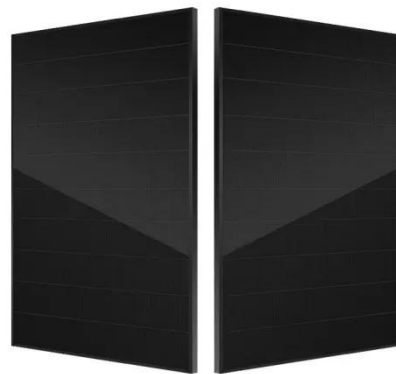


How the Tesla Energy Ecosystem is Creating the Grid of the Future

Explore how the Tesla Energy Ecosystem--Solar, Powerwall, and Megapack--is transforming renewable energy, stabilizing the grid, and building a sustainable future.

Tesla Master Plan projects 3 TW of solar and 6.5 TWh of storage in US

Tesla has unveiled the third iteration of its Master Plan series, outlining the company's vision for transitioning the United States and the world toward a sustainable future powered by clean



Tesla announces production of a new solar panel in the ...

Tesla announced that it started to produce its own new solar panel at Gigafactory New York in Buffalo. The first deliveries are expected in Q1 2026.



Tesla Suddenly Likes Solar Again

The shift back to producing its own panels is entirely driven by the spike in electricity demand and rising utility rates. "The solar opportunity is underestimated," Musk said on the call.

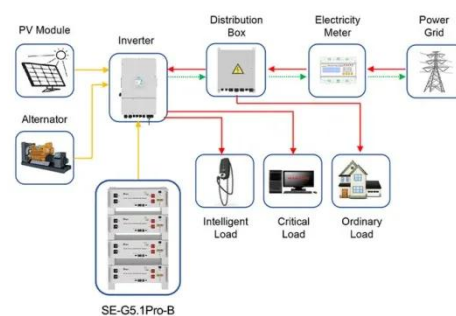


How Tesla Will Power its Robotics & AI Expansion Using Solar

Tesla's latest earnings call saw the CEO, Elon Musk, discuss the future of the company's energy strategy. Credit for headshot: WEF Amid a Q4 2025 revenue dip, Tesla CEO Elon Musk is ...

Tesla 2026: Prioritising Solar and Dropping "Sustainable"

Tesla CEO Elon Musk is investing in humanoid robots & solar energy in 2026 changing Tesla's guiding mission from Sustainable Abundance to Amazing Abundance Founded in 2003 as an ...



Application scenarios of energy storage battery products

Tesla's Renewable Energy Initiatives

Tesla's many innovations are shaping



the future of solar energy and EV production, and the company isn't slowing down. Instead of solar panels solely being placed on roofs, applications ...

'Solar Is Everything': Tesla's Elon Musk Says Other Energy Sources ...

In a recent interview, Elon Musk says that solar is the only logical energy source to build out, and it logically dwarfs all other sources.



The Future of Renewable Energy: Tesla Powerwall and Solar Integration

Solar panels have been around for decades, harnessing the sun's energy to generate electricity. However, what sets the integration of Tesla Powerwall apart is its ability to store this ...

Tesla's groundbreaking leap in solar energy innovation

As anticipation builds around Tesla's

forthcoming announcements regarding its solar initiatives, one pivotal question arises: Will these innovations merely capture public interest or truly ...



Contact Us

For catalog requests, pricing, or partnerships, please visit:
<https://www.kidsandparents.pl>

